

**VALVES AND COCKS**  
**VENTILE UND HÄHNE**



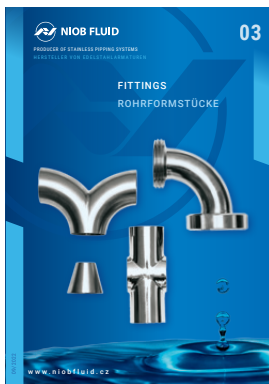
**02** PIPE UNIONS  
ROHRVERBINDUNGEN



**06** DOORS AND MANWAYS  
MANNLOCHTÜREN UND KLAPPTÜREN



**03** FITTINGS  
ROHRFORMSTÜCKE



**07** ACCESSORIES  
ZUBEHÖR



**04** VALVES AND COCKS  
VENTILE UND HÄHNNE



**08** DOUBLE-WALLED PIPING SYSTEMS  
DOPPELWANDIGE ROHRSYSTEME



**05** SPECIAL FITTINGS AND PARTS  
SPEZIALARMATUREN UND TEILE

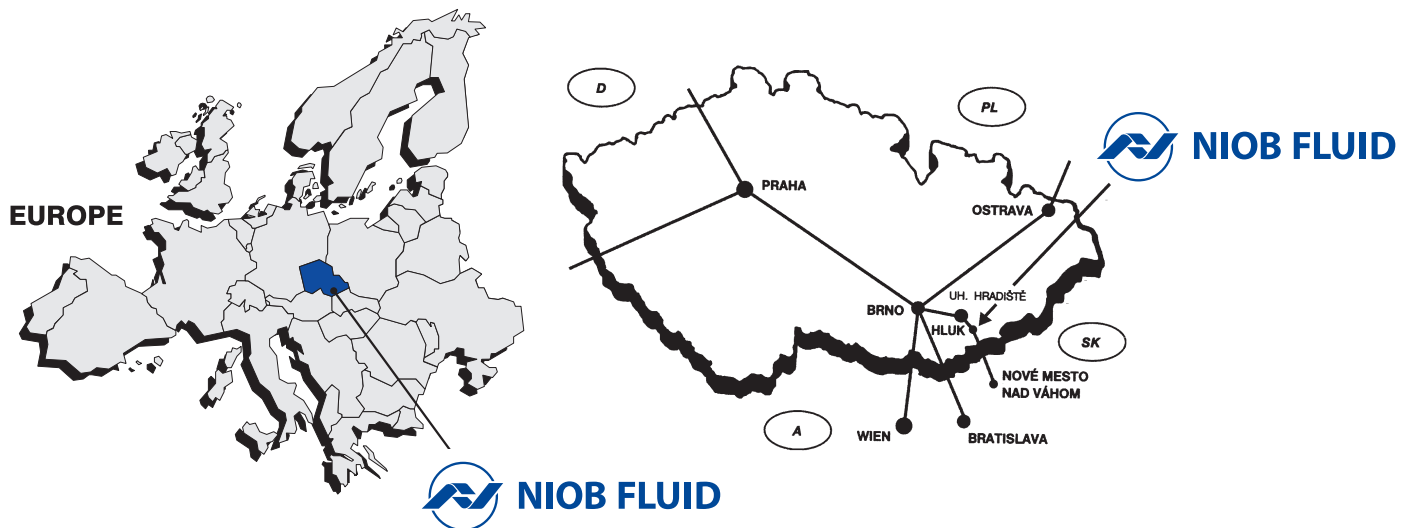


**09** ASEPTIC PROGRAM  
ASEPTISCHES PROGRAMM



The company NIOB FLUID s. r. o. is a manufacturer focused on the production of fasteners, shut-off and control valves of stainless steels. These valves are especially designed for the transport of liquids in the food, chemical and the pharmaceutical industry. It is simultaneously also the supplier of pipe fittings and other parts needed for piping systems and components for tanks such as the lid, manwaydoor, level indicator and other components.

Die Gesellschaft NIOB FLUID s.r.o. ist ein Hersteller, der auf die Produktion von Verbindungs-, Absperr- und Regulierventilen aus Edelstahl orientiert ist. Diese Ventile sind vor allem für den Transport von Flüssigkeiten in der Lebensmittel- und Chemieindustrie und in der Pharmazie bestimmt. Die Gesellschaft ist gleichzeitig auch Lieferant von Rohrverbindungsstücken und weiteren Teilen, die für die Rohrleitungen erforderlich sind, und von Behälterteilen wie Hauben, Luken, Standgläser und weiteren Komponenten.

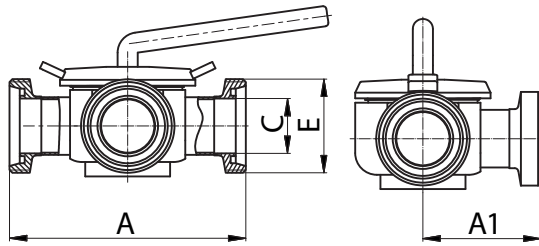


**NIOB FLUID s. r. o.**  
Ostrožská 1003, 687 25 Hluk, Czech Republic  
Ghone: +420 572 419 822 – 8, Fax: +420 572 419 868  
E-mail: [marketing@niobfluid.cz](mailto:marketing@niobfluid.cz), [www.niobfluid.cz](http://www.niobfluid.cz)

Three way cock G - G - G  
Dreivegekökenhahn G - G - G

**40110**

**Dimensions • Baumaße**

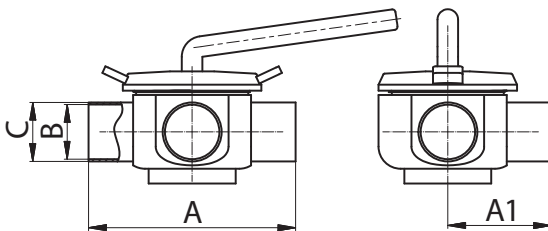


| DN | A     | C  | A1    | E              | F | R | L | Rd x s | kg |
|----|-------|----|-------|----------------|---|---|---|--------|----|
|    |       |    |       | <b>DIN 405</b> |   |   |   |        |    |
| 40 | 184,5 | 38 | 92,2  | 65x1/6"        |   |   |   |        |    |
| 50 | 231,5 | 50 | 115,8 | 78x1/6"        |   |   |   |        |    |

Three way cock S - S - S  
Dreivegekökenhahn S - S - S

**40111**

**Dimensions • Baumaße**

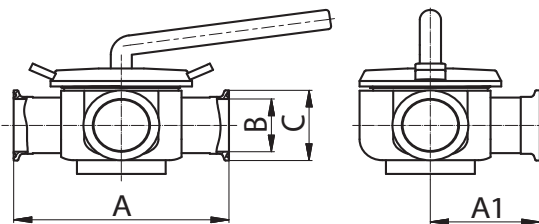


| DN | A     | A1   | B  | C  | E | F | R | L | Rd x s | kg |
|----|-------|------|----|----|---|---|---|---|--------|----|
| 40 | 140,5 | 70,2 | 38 | 41 |   |   |   |   |        |    |
| 50 | 185,5 | 92,8 | 50 | 53 |   |   |   |   |        |    |

Three way cock C - C - C  
Dreivegekökenhahn C - C - C

**40119**

**Dimensions • Baumaße**

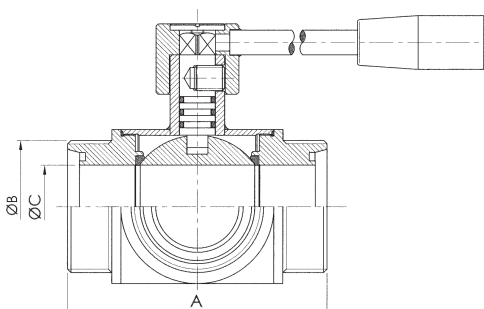


| DN | A     | A1    | B  | C    | E | F | R | L | Rd x s | kg |
|----|-------|-------|----|------|---|---|---|---|--------|----|
| 40 | 165,9 | 82,9  | 38 | 50,5 |   |   |   |   |        |    |
| 50 | 210,9 | 105,5 | 50 | 64   |   |   |   |   |        |    |

Three way ball valve G - G - G  
Dreivegekugelventil G - G - G

**40210**

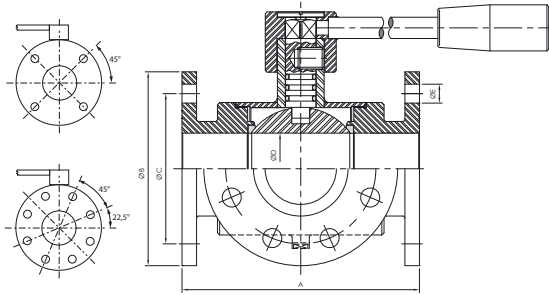
**Dimensions • Baumaße**



| DN  | A   | B              | C   | E | F | R | L | Rd x s | kg |
|-----|-----|----------------|-----|---|---|---|---|--------|----|
|     |     | <b>DIN 405</b> |     |   |   |   |   |        |    |
| 25  | 136 | 52x1/6"        | 25  |   |   |   |   |        |    |
| 32  | 138 | 58x1/6"        | 31  |   |   |   |   |        |    |
| 40  | 158 | 65x1/6"        | 37  |   |   |   |   |        |    |
| 50  | 170 | 78x1/6"        | 49  |   |   |   |   |        |    |
| 65  | 204 | 95x1/6"        | 66  |   |   |   |   |        |    |
| 80  | 130 | 110x1/4"       | 81  |   |   |   |   |        |    |
| 100 | 264 | 130x1/4"       | 100 |   |   |   |   |        |    |
| 125 | 346 | 160x1/4"       | 120 |   |   |   |   |        |    |

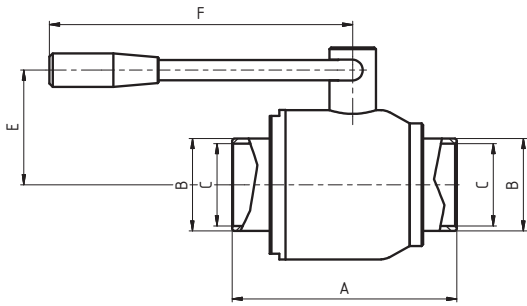


Three way ball valve PN - PN - PN  
Dreiwegekugelventil PN - PN - PN

**40240**
**Dimensions • Baumaße**


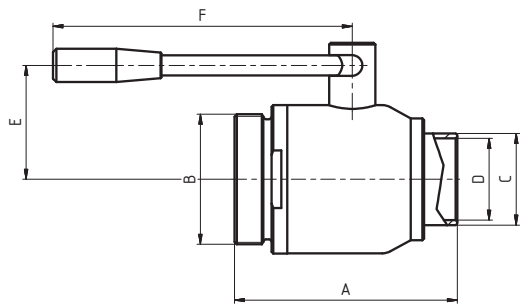
| DN  | A   | B   | C   | D   | E    | F | R | L | Rd x s | kg |
|-----|-----|-----|-----|-----|------|---|---|---|--------|----|
| 25  | 150 | 115 | 85  | 25  | 14x4 |   |   |   |        |    |
| 32  | 180 | 140 | 100 | 31  | 18x4 |   |   |   |        |    |
| 40  | 200 | 150 | 110 | 37  | 18x4 |   |   |   |        |    |
| 50  | 220 | 165 | 125 | 49  | 18x4 |   |   |   |        |    |
| 65  | 240 | 185 | 145 | 66  | 18x4 |   |   |   |        |    |
| 80  | 260 | 200 | 160 | 81  | 18x8 |   |   |   |        |    |
| 100 | 300 | 220 | 180 | 100 | 18x8 |   |   |   |        |    |
| 125 | 380 | 250 | 210 | 120 | 18x8 |   |   |   |        |    |

Straight way ball valve S - S  
Kugelventil S - S

**40510**
**Dimensions • Baumaße**


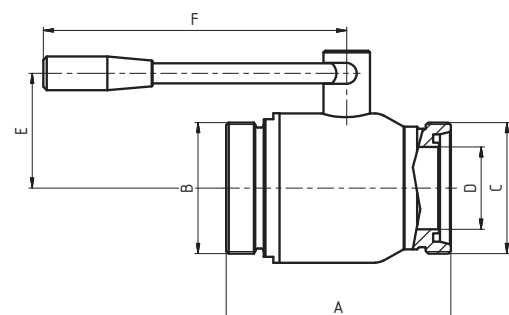
| DN  | A   | B   | C   | E   | F   | G | R | L | Rd x s | kg |
|-----|-----|-----|-----|-----|-----|---|---|---|--------|----|
| 15  | 78  | 21  | 16  | 40  | 90  |   |   |   |        |    |
| 20  | 78  | 25  | 20  | 40  | 90  |   |   |   |        |    |
| 25  | 84  | 31  | 26  | 44  | 146 |   |   |   |        |    |
| 32  | 106 | 37  | 32  | 50  | 146 |   |   |   |        |    |
| 40  | 124 | 43  | 40  | 64  | 185 |   |   |   |        |    |
| 50  | 134 | 55  | 49  | 68  | 185 |   |   |   |        |    |
| 65  | 145 | 72  | 65  | 95  | 243 |   |   |   |        |    |
| 80  | 179 | 87  | 79  | 104 | 243 |   |   |   |        |    |
| 100 | 205 | 106 | 99  | 122 | 273 |   |   |   |        |    |
| 125 | 225 | 132 | 119 | 135 | 273 |   |   |   |        |    |

Straight way ball valve G - S  
Kugelventil G - S

**40520**
**Dimensions • Baumaße**


| DN  | A   | B              | C   | D   | E   | F   | R | L | Rd x s | kg |
|-----|-----|----------------|-----|-----|-----|-----|---|---|--------|----|
|     |     | <b>DIN 405</b> |     |     |     |     |   |   |        |    |
| 25  | 86  | 52x1/6"        | 31  | 26  | 44  | 146 |   |   |        |    |
| 32  | 104 | 58x1/6"        | 37  | 32  | 50  | 146 |   |   |        |    |
| 40  | 125 | 65x1/6"        | 43  | 40  | 64  | 185 |   |   |        |    |
| 50  | 134 | 78x1/6"        | 55  | 49  | 68  | 185 |   |   |        |    |
| 65  | 145 | 95x1/6"        | 72  | 65  | 95  | 243 |   |   |        |    |
| 80  | 179 | 110x1/4"       | 87  | 79  | 104 | 243 |   |   |        |    |
| 100 | 205 | 130x1/4"       | 106 | 99  | 122 | 273 |   |   |        |    |
| 125 | 225 | 160x1/4"       | 132 | 119 | 135 | 273 |   |   |        |    |

Straight way ball valve G - G  
Kugelventil G - G

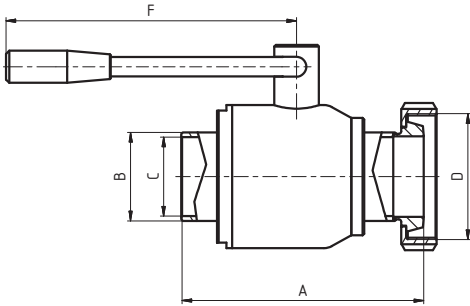
**40530**
**Dimensions • Baumaße**


| DN  | A   | B/C            | D   | E   | F   | R | L | Rd x s | kg |
|-----|-----|----------------|-----|-----|-----|---|---|--------|----|
|     |     | <b>DIN 405</b> |     |     |     |   |   |        |    |
| 25  | 89  | 52x1/6"        | 26  | 44  | 146 |   |   |        |    |
| 32  | 113 | 58x1/6"        | 32  | 50  | 146 |   |   |        |    |
| 40  | 124 | 65x1/6"        | 40  | 64  | 185 |   |   |        |    |
| 50  | 134 | 78x1/6"        | 49  | 68  | 185 |   |   |        |    |
| 65  | 146 | 95x1/6"        | 65  | 95  | 243 |   |   |        |    |
| 80  | 179 | 110x1/4"       | 79  | 104 | 243 |   |   |        |    |
| 100 | 205 | 130x1/4"       | 99  | 122 | 273 |   |   |        |    |
| 125 | 225 | 160x1/4"       | 119 | 135 | 273 |   |   |        |    |

Straight way ball valve S - K/M  
Kugelventil S - K/M

**40540**

**Dimensions • Baumaße**

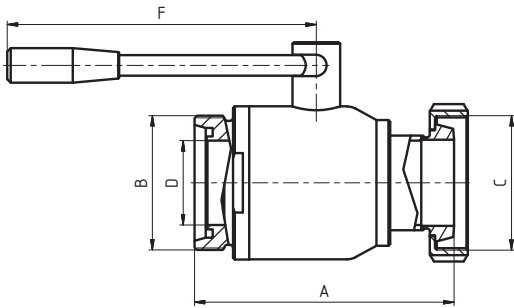


| DN  | A   | B   | C   | D              | E   | F   | R | L | Rd x s | kg |
|-----|-----|-----|-----|----------------|-----|-----|---|---|--------|----|
|     |     |     |     | <b>DIN 405</b> |     |     |   |   |        |    |
| 25  | 100 | 31  | 26  | 52x1/6"        | 44  | 146 |   |   |        |    |
| 32  | 122 | 37  | 32  | 58x1/6"        | 50  | 146 |   |   |        |    |
| 40  | 140 | 43  | 40  | 65x1/6"        | 64  | 185 |   |   |        |    |
| 50  | 151 | 55  | 49  | 78x1/6"        | 68  | 185 |   |   |        |    |
| 65  | 164 | 72  | 65  | 95x1/6"        | 95  | 243 |   |   |        |    |
| 80  | 198 | 87  | 79  | 110x1/4"       | 104 | 243 |   |   |        |    |
| 100 | 228 | 106 | 99  | 130x1/4"       | 122 | 273 |   |   |        |    |
| 125 | 250 | 132 | 119 | 160x1/4"       | 135 | 273 |   |   |        |    |

Straight way ball valve G - K/M  
Kugelventil G - K/M

**40550**

**Dimensions • Baumaße**

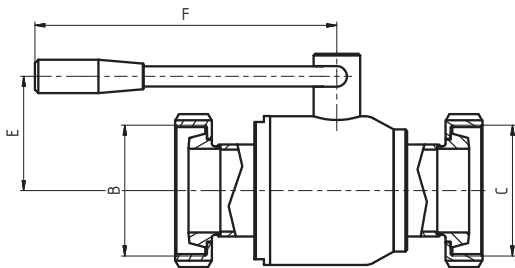


| DN  | A   | B/C            | D   | E   | F   | G | R | L | Rd x s | kg |
|-----|-----|----------------|-----|-----|-----|---|---|---|--------|----|
|     |     | <b>DIN 405</b> |     |     |     |   |   |   |        |    |
| 25  | 102 | 52x1/6"        | 26  | 44  | 146 |   |   |   |        |    |
| 32  | 120 | 58x1/6"        | 32  | 50  | 146 |   |   |   |        |    |
| 40  | 141 | 65x1/6"        | 40  | 64  | 185 |   |   |   |        |    |
| 50  | 151 | 78x1/6"        | 49  | 68  | 185 |   |   |   |        |    |
| 65  | 164 | 95x1/6"        | 65  | 95  | 243 |   |   |   |        |    |
| 80  | 198 | 110x1/4"       | 79  | 104 | 243 |   |   |   |        |    |
| 100 | 228 | 130x1/4"       | 99  | 122 | 273 |   |   |   |        |    |
| 125 | 250 | 160x1/4"       | 119 | 135 | 273 |   |   |   |        |    |

Straight way ball valve K/M - K/M  
Kugelventil K/M - K/M

**40560**

**Dimensions • Baumaße**

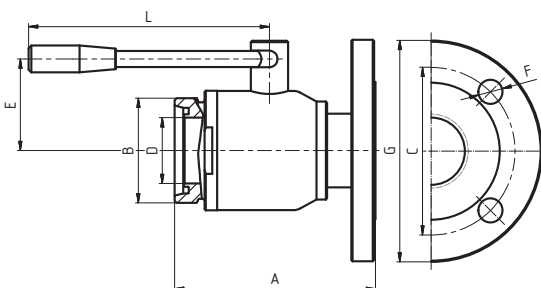


| DN  | A   | B/C            | D   | E   | F   | F | R | L | Rd x s | kg |
|-----|-----|----------------|-----|-----|-----|---|---|---|--------|----|
|     |     | <b>DIN 405</b> |     |     |     |   |   |   |        |    |
| 25  | 119 | 52x1/6"        | 26  | 44  | 146 |   |   |   |        |    |
| 32  | 138 | 58x1/6"        | 32  | 50  | 146 |   |   |   |        |    |
| 40  | 156 | 65x1/6"        | 38  | 64  | 185 |   |   |   |        |    |
| 50  | 168 | 78x1/6"        | 50  | 68  | 185 |   |   |   |        |    |
| 65  | 183 | 95x1/6"        | 66  | 95  | 243 |   |   |   |        |    |
| 80  | 217 | 110x1/4"       | 81  | 104 | 243 |   |   |   |        |    |
| 100 | 251 | 130x1/4"       | 100 | 122 | 273 |   |   |   |        |    |
| 125 | 275 | 160x1/4"       | 121 | 135 | 273 |   |   |   |        |    |

Straight way ball valve G - PN  
Kugelventil G - PN

**40570**

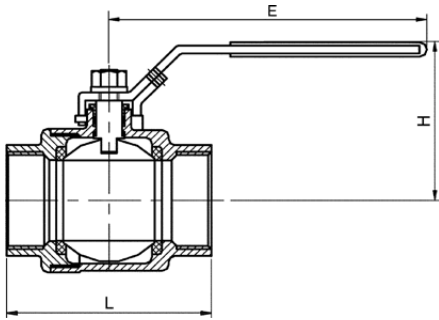
**Dimensions • Baumaße**



| DN  | A   | B              | C   | D   | E   | F    | G   | L   | Rd x s | kg |
|-----|-----|----------------|-----|-----|-----|------|-----|-----|--------|----|
|     |     | <b>DIN 405</b> |     |     |     |      |     |     |        |    |
| 25  | 98  | 52x1/6"        | 85  | 26  | 44  | 14x4 | 115 | 146 |        |    |
| 32  | 116 | 58x1/6"        | 100 | 32  | 50  | 18x4 | 140 | 146 |        |    |
| 40  | 137 | 65x1/6"        | 110 | 40  | 64  | 18x4 | 150 | 185 |        |    |
| 50  | 146 | 78x1/6"        | 125 | 49  | 68  | 18x4 | 165 | 185 |        |    |
| 65  | 157 | 95x1/6"        | 145 | 65  | 95  | 18x4 | 185 | 243 |        |    |
| 80  | 193 | 110x1/4"       | 160 | 79  | 104 | 18x4 | 200 | 243 |        |    |
| 100 | 219 | 130x1/4"       | 180 | 99  | 122 | 18x8 | 220 | 273 |        |    |
| 125 | 243 | 160x1/4"       | 210 | 119 | 135 | 18x8 | 250 | 273 |        |    |

Two pieces ball cock G - G  
2-Teilung-Kugelhahn G - G

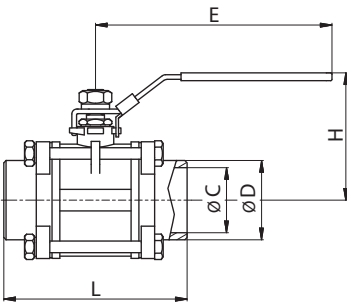
**40640** Dimensions • Baumaße



| DN     | L   | E   | H   | D | E | F | R | L | Rd x s | kg |
|--------|-----|-----|-----|---|---|---|---|---|--------|----|
| 1/4"   | 52  | 90  | 55  |   |   |   |   |   |        |    |
| 3/8"   | 52  | 90  | 55  |   |   |   |   |   |        |    |
| 1/2"   | 55  | 105 | 55  |   |   |   |   |   |        |    |
| 3/4"   | 65  | 115 | 60  |   |   |   |   |   |        |    |
| 1"     | 72  | 120 | 70  |   |   |   |   |   |        |    |
| 1 1/4" | 83  | 145 | 75  |   |   |   |   |   |        |    |
| 1 1/2" | 95  | 175 | 90  |   |   |   |   |   |        |    |
| 2"     | 110 | 175 | 100 |   |   |   |   |   |        |    |
| 2 1/2" | 144 | 210 | 130 |   |   |   |   |   |        |    |
| 3"     | 170 | 230 | 140 |   |   |   |   |   |        |    |

Three pieces ball cock S - S  
3-Teilung-Kugelhan S - S

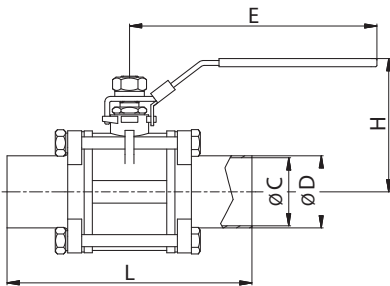
**40650** Dimensions • Baumaße



| DN  | L   | E   | H   | C   | D    | F | R | L | Rd x s | kg |
|-----|-----|-----|-----|-----|------|---|---|---|--------|----|
| 8   | 63  | 95  | 46  | 11  | 17   |   |   |   |        |    |
| 10  | 63  | 95  | 50  | 12  | 17   |   |   |   |        |    |
| 15  | 75  | 103 | 56  | 15  | 21,3 |   |   |   |        |    |
| 20  | 80  | 118 | 66  | 20  | 26,7 |   |   |   |        |    |
| 25  | 90  | 135 | 72  | 25  | 33,4 |   |   |   |        |    |
| 32  | 110 | 135 | 83  | 32  | 42,2 |   |   |   |        |    |
| 40  | 120 | 160 | 88  | 38  | 48,3 |   |   |   |        |    |
| 50  | 140 | 173 | 100 | 50  | 60,3 |   |   |   |        |    |
| 65  | 165 | 216 | 127 | 65  | 74   |   |   |   |        |    |
| 80  | 202 | 232 | 138 | 80  | 91   |   |   |   |        |    |
| 100 | 252 | 330 | 171 | 100 | 110  |   |   |   |        |    |

Three pieces ball cock S - S  
for orbital welding  
3-Teilung-Kugelhan S - S für Orbital  
Schweißen

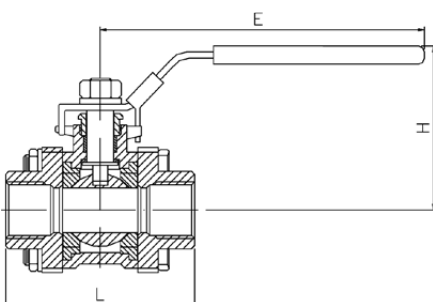
**40660** Dimensions • Baumaße



| DN  | L   | E   | H   | C   | D   | F | R | G | Rd x s | kg |
|-----|-----|-----|-----|-----|-----|---|---|---|--------|----|
| 10  | 100 | 95  | 50  | 10  | 13  |   |   |   |        |    |
| 15  | 125 | 103 | 56  | 16  | 19  |   |   |   |        |    |
| 20  | 130 | 118 | 66  | 20  | 23  |   |   |   |        |    |
| 25  | 140 | 135 | 72  | 26  | 29  |   |   |   |        |    |
| 32  | 168 | 135 | 83  | 32  | 35  |   |   |   |        |    |
| 40  | 178 | 160 | 88  | 38  | 41  |   |   |   |        |    |
| 50  | 200 | 173 | 100 | 50  | 53  |   |   |   |        |    |
| 65  | 245 | 216 | 127 | 66  | 70  |   |   |   |        |    |
| 80  | 282 | 232 | 138 | 81  | 85  |   |   |   |        |    |
| 100 | 332 | 330 | 171 | 100 | 104 |   |   |   |        |    |
| 100 | 332 | 330 | 171 | 100 | 110 |   |   |   |        |    |

Three pieces ball cock G - G  
3-Teilung-Kugelhan G - G

**40670** Dimensions • Baumaße

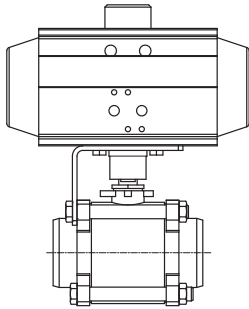


| DN     | L   | E   | H   | D | E | F | R | G | Rd x s | kg |
|--------|-----|-----|-----|---|---|---|---|---|--------|----|
| 1/4"   | 51  | 95  | 46  |   |   |   |   |   |        |    |
| 3/8"   | 65  | 95  | 50  |   |   |   |   |   |        |    |
| 1/2"   | 74  | 103 | 56  |   |   |   |   |   |        |    |
| 3/4"   | 70  | 118 | 66  |   |   |   |   |   |        |    |
| 1"     | 89  | 135 | 72  |   |   |   |   |   |        |    |
| 1 1/4" | 108 | 135 | 83  |   |   |   |   |   |        |    |
| 1 1/2" | 108 | 160 | 88  |   |   |   |   |   |        |    |
| 2"     | 140 | 173 | 100 |   |   |   |   |   |        |    |
| 2 1/2" | 168 | 216 | 127 |   |   |   |   |   |        |    |
| 3"     | 190 | 232 | 138 |   |   |   |   |   |        |    |
| 4"     | 240 | 330 | 171 |   |   |   |   |   |        |    |

Three pieces ball cock S - S with AT SR 4405  
(or DA 4410)  
3-Teiling-Kugelhahn S - S mit AT SR 4405  
(oder DA 4410)

**40650 P05**
**Dimensions • Baumaße**
**40650 P10**

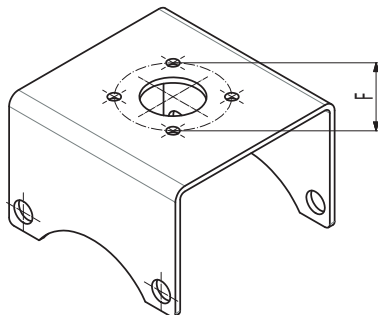
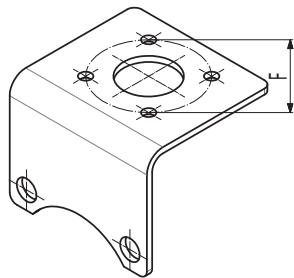
| DN  | B | C | C | D | E | F | G | R | Rd x s | kg |
|-----|---|---|---|---|---|---|---|---|--------|----|
| 10  |   |   |   |   |   |   |   |   |        |    |
| 15  |   |   |   |   |   |   |   |   |        |    |
| 20  |   |   |   |   |   |   |   |   |        |    |
| 25  |   |   |   |   |   |   |   |   |        |    |
| 32  |   |   |   |   |   |   |   |   |        |    |
| 40  |   |   |   |   |   |   |   |   |        |    |
| 50  |   |   |   |   |   |   |   |   |        |    |
| 65  |   |   |   |   |   |   |   |   |        |    |
| 80  |   |   |   |   |   |   |   |   |        |    |
| 100 |   |   |   |   |   |   |   |   |        |    |



Bracket  
Konsole für Kugelhahn

**40770**
**Dimensions • Baumaße**

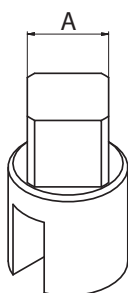
| DN  | A | B | E | F         | G | R | L | Rd x s | kg |
|-----|---|---|---|-----------|---|---|---|--------|----|
| 10  |   |   |   | F04       |   |   |   |        |    |
| 15  |   |   |   | F04       |   |   |   |        |    |
| 20  |   |   |   | F04       |   |   |   |        |    |
| 25  |   |   |   | F04       |   |   |   |        |    |
| 25  |   |   |   | F05       |   |   |   |        |    |
| 32  |   |   |   | F04       |   |   |   |        |    |
| 32  |   |   |   | F05       |   |   |   |        |    |
| 40  |   |   |   | F04       |   |   |   |        |    |
| 40  |   |   |   | F05       |   |   |   |        |    |
| 50  |   |   |   | F05 / F07 |   |   |   |        |    |
| 65  |   |   |   | F07       |   |   |   |        |    |
| 80  |   |   |   | F07       |   |   |   |        |    |
| 100 |   |   |   | F07       |   |   |   |        |    |



Catch driver for 3-pieces ball cock  
Kupplung für 3-Teiling-Kugelhahn

**40780**
**Dimensions • Baumaße**

| A     | B | C | D | E | F | G | R | L | Rd x s | kg |
|-------|---|---|---|---|---|---|---|---|--------|----|
| 11x11 |   |   |   |   |   |   |   |   |        |    |
| 14x14 |   |   |   |   |   |   |   |   |        |    |
| 17x17 |   |   |   |   |   |   |   |   |        |    |
| 22x22 |   |   |   |   |   |   |   |   |        |    |

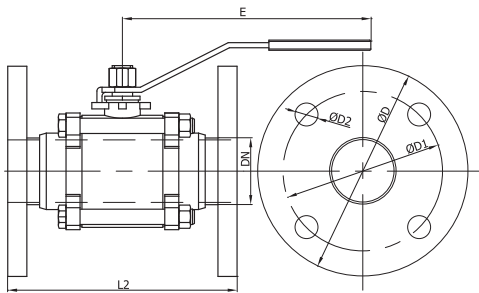


Three pieces ball cock PN - PN  
3-Teilung-Kugelhahn PN - PN

**40742**

**Dimensions • Baumaße**

(20700)



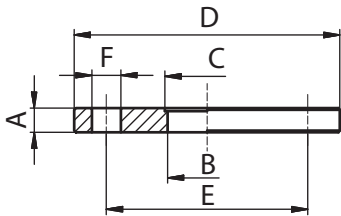
| DN  | D   | D1  | D2   | L2  | E   | H   | A | B | Rd x s | kg |
|-----|-----|-----|------|-----|-----|-----|---|---|--------|----|
| 25  | 115 | 85  | 14x4 | 162 | 135 | 72  |   |   |        |    |
| 32  | 140 | 100 | 18x4 | 186 | 135 | 83  |   |   |        |    |
| 40  | 150 | 110 | 18x4 | 200 | 160 | 88  |   |   |        |    |
| 50  | 165 | 125 | 18x4 | 226 | 173 | 100 |   |   |        |    |
| 65  | 185 | 145 | 18x4 | 251 | 216 | 127 |   |   |        |    |
| 80  | 200 | 160 | 18x8 | 301 | 232 | 138 |   |   |        |    |
| 100 | 220 | 180 | 18x8 | 351 | 330 | 171 |   |   |        |    |
|     |     |     |      |     |     |     |   |   |        |    |
|     |     |     |      |     |     |     |   |   |        |    |
|     |     |     |      |     |     |     |   |   |        |    |
|     |     |     |      |     |     |     |   |   |        |    |
|     |     |     |      |     |     |     |   |   |        |    |
|     |     |     |      |     |     |     |   |   |        |    |
|     |     |     |      |     |     |     |   |   |        |    |
|     |     |     |      |     |     |     |   |   |        |    |
|     |     |     |      |     |     |     |   |   |        |    |
|     |     |     |      |     |     |     |   |   |        |    |
|     |     |     |      |     |     |     |   |   |        |    |
|     |     |     |      |     |     |     |   |   |        |    |
|     |     |     |      |     |     |     |   |   |        |    |
|     |     |     |      |     |     |     |   |   |        |    |
|     |     |     |      |     |     |     |   |   |        |    |

Flange PN 10  
Flansch PN 10

DIN 2576

**20700**

**Dimensions • Baumaße**



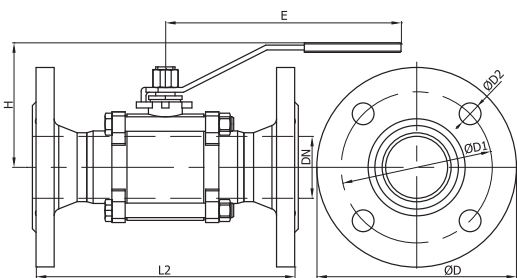
| DN  | A  | B   | C     | D   | E   | F    | G | L | Rd x s | kg   |
|-----|----|-----|-------|-----|-----|------|---|---|--------|------|
| 10  | 14 | 10  | 12,2  | 90  | 60  | 14x4 |   |   |        | 0,5  |
| 15  | 14 | 16  | 18,2  | 95  | 65  | 14x4 |   |   |        | 0,6  |
| 20  | 16 | 20  | 22,2  | 105 | 75  | 14x4 |   |   |        | 0,85 |
| 25  | 16 | 26  | 28,2  | 115 | 85  | 14x4 |   |   |        | 1,11 |
| 32  | 16 | 32  | 34,2  | 140 | 100 | 18x4 |   |   |        | 1,64 |
| 40  | 16 | 38  | 40,2  | 150 | 110 | 18x4 |   |   |        | 1,8  |
| 50  | 18 | 50  | 52,2  | 165 | 125 | 18x4 |   |   |        | 2,3  |
| 65  | 18 | 66  | 70,3  | 185 | 145 | 18x4 |   |   |        | 2,88 |
| 80  | 20 | 81  | 85,3  | 200 | 160 | 18x8 |   |   |        | 3,2  |
| 100 | 20 | 100 | 104,3 | 220 | 180 | 18x8 |   |   |        | 4    |
| 125 | 22 | 125 | 129,5 | 250 | 210 | 18x8 |   |   |        | 5    |
| 150 | 22 | 150 | 154,5 | 285 | 240 | 22x8 |   |   |        | 6,7  |
|     |    |     |       |     |     |      |   |   |        |      |
|     |    |     |       |     |     |      |   |   |        |      |
|     |    |     |       |     |     |      |   |   |        |      |
|     |    |     |       |     |     |      |   |   |        |      |
|     |    |     |       |     |     |      |   |   |        |      |
|     |    |     |       |     |     |      |   |   |        |      |
|     |    |     |       |     |     |      |   |   |        |      |
|     |    |     |       |     |     |      |   |   |        |      |
|     |    |     |       |     |     |      |   |   |        |      |
|     |    |     |       |     |     |      |   |   |        |      |
|     |    |     |       |     |     |      |   |   |        |      |
|     |    |     |       |     |     |      |   |   |        |      |

Three pieces ball cock PN - PN  
3-Teilung-Kugelhahn PN - PN

**40743**

**Dimensions • Baumaße**

(20730)

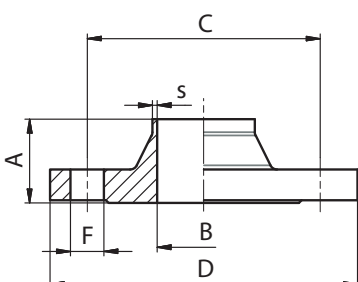


| DN  | D   | D1  | D2   | L2  | E   | H   | A | B | Rd x s | kg |
|-----|-----|-----|------|-----|-----|-----|---|---|--------|----|
| 25  | 115 | 85  | 14x4 | 162 | 135 | 72  |   |   |        |    |
| 32  | 140 | 100 | 18x4 | 186 | 135 | 83  |   |   |        |    |
| 40  | 150 | 110 | 18x4 | 200 | 160 | 88  |   |   |        |    |
| 50  | 165 | 125 | 18x4 | 226 | 173 | 100 |   |   |        |    |
| 65  | 185 | 145 | 18x4 | 251 | 216 | 127 |   |   |        |    |
| 80  | 200 | 160 | 18x8 | 301 | 232 | 138 |   |   |        |    |
| 100 | 220 | 180 | 18x8 | 351 | 330 | 171 |   |   |        |    |
|     |     |     |      |     |     |     |   |   |        |    |
|     |     |     |      |     |     |     |   |   |        |    |
|     |     |     |      |     |     |     |   |   |        |    |
|     |     |     |      |     |     |     |   |   |        |    |
|     |     |     |      |     |     |     |   |   |        |    |
|     |     |     |      |     |     |     |   |   |        |    |
|     |     |     |      |     |     |     |   |   |        |    |
|     |     |     |      |     |     |     |   |   |        |    |
|     |     |     |      |     |     |     |   |   |        |    |
|     |     |     |      |     |     |     |   |   |        |    |
|     |     |     |      |     |     |     |   |   |        |    |
|     |     |     |      |     |     |     |   |   |        |    |
|     |     |     |      |     |     |     |   |   |        |    |
|     |     |     |      |     |     |     |   |   |        |    |
|     |     |     |      |     |     |     |   |   |        |    |
|     |     |     |      |     |     |     |   |   |        |    |

Flange PN 16  
Flansch PN 16

**20730**

**Dimensions • Baumaße**



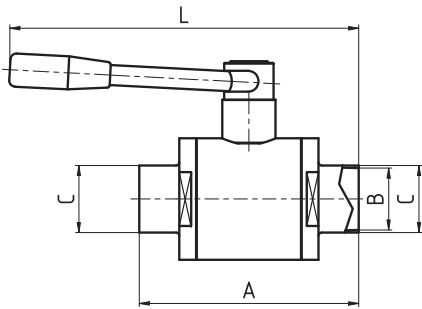
| DN  | A  | B   | C   | D   | F    | s   | K | L | Rd x s | kg   |
|-----|----|-----|-----|-----|------|-----|---|---|--------|------|
| 10  | 35 | 10  | 60  | 90  | 14x4 | 1,5 |   |   |        | 0,58 |
| 15  | 35 | 16  | 65  | 95  | 14x4 | 1,5 |   |   |        | 0,65 |
| 20  | 38 | 20  | 75  | 105 | 14x4 | 1,5 |   |   |        | 0,95 |
| 25  | 38 | 26  | 85  | 115 | 14x4 | 1,5 |   |   |        | 1,14 |
| 32  | 40 | 32  | 100 | 140 | 18x4 | 1,5 |   |   |        | 1,6  |
| 40  | 42 | 38  | 110 | 150 | 18x4 | 1,5 |   |   |        | 1,8  |
| 50  | 45 | 50  | 125 | 165 | 18x4 | 1,5 |   |   |        | 2,53 |
| 65  | 45 | 66  | 145 | 185 | 18x4 | 2   |   |   |        | 3,06 |
| 80  | 50 | 81  | 160 | 200 | 18x8 | 2   |   |   |        | 3,7  |
| 100 | 52 | 100 | 180 | 220 | 18x8 | 2   |   |   |        | 4,62 |
| 125 | 55 | 125 | 210 | 250 | 18x8 | 2   |   |   |        | 6,3  |
| 150 | 55 | 150 | 240 | 285 | 22x8 | 2   |   |   |        | 7,75 |
|     |    |     |     |     |      |     |   |   |        |      |
|     |    |     |     |     |      |     |   |   |        |      |
|     |    |     |     |     |      |     |   |   |        |      |
|     |    |     |     |     |      |     |   |   |        |      |
|     |    |     |     |     |      |     |   |   |        |      |
|     |    |     |     |     |      |     |   |   |        |      |
|     |    |     |     |     |      |     |   |   |        |      |
|     |    |     |     |     |      |     |   |   |        |      |
|     |    |     |     |     |      |     |   |   |        |      |
|     |    |     |     |     |      |     |   |   |        |      |
|     |    |     |     |     |      |     |   |   |        |      |
|     |    |     |     |     |      |     |   |   |        |      |
|     |    |     |     |     |      |     |   |   |        |      |
|     |    |     |     |     |      |     |   |   |        |      |



Straight way ball valve S - S  
Kugelventil S - S

**41101**

**Dimensions • Baumaße**

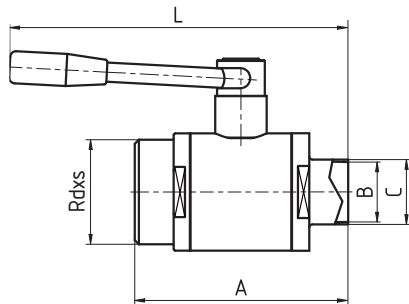


| DN | A   | B  | C  | D | E | F | R | L   | Rd x s | kg |
|----|-----|----|----|---|---|---|---|-----|--------|----|
| 25 | 103 | 25 | 28 |   |   |   |   | 172 |        |    |
| 32 | 124 | 32 | 34 |   |   |   |   | 214 |        |    |
| 40 | 131 | 38 | 40 |   |   |   |   | 218 |        |    |
| 50 | 138 | 48 | 52 |   |   |   |   | 226 |        |    |
| 65 | 170 | 65 | 70 |   |   |   |   | 298 |        |    |
| 80 | 181 | 73 | 85 |   |   |   |   | 304 |        |    |

Straight way ball valve G - S  
Kugelventil G - S

**41102**

**Dimensions • Baumaße**

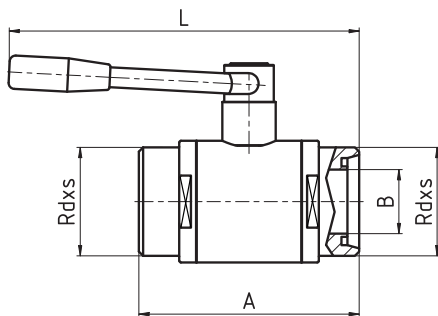


| DN | A   | B  | C  | D | E | F | R | L   | Rd x s   | kg |
|----|-----|----|----|---|---|---|---|-----|----------|----|
| 25 | 103 | 25 | 28 |   |   |   |   | 172 | 52x1/6"  |    |
| 32 | 124 | 32 | 34 |   |   |   |   | 214 | 58x1/6"  |    |
| 40 | 131 | 38 | 40 |   |   |   |   | 218 | 65x1/6"  |    |
| 50 | 138 | 48 | 52 |   |   |   |   | 226 | 78x1/6"  |    |
| 65 | 170 | 65 | 70 |   |   |   |   | 298 | 95x1/6"  |    |
| 80 | 181 | 73 | 85 |   |   |   |   | 304 | 110x1/4" |    |

Straight way ball valve G - G  
Kugelventil G - G

**41103**

**Dimensions • Baumaße**

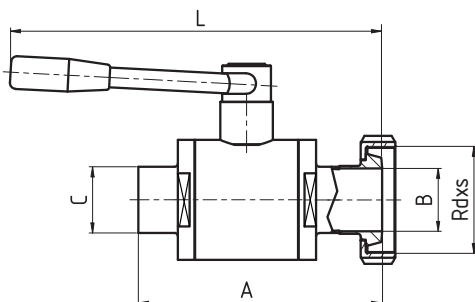


| DN | A   | B  | C | D | E | F | R | L   | Rd x s   | kg |
|----|-----|----|---|---|---|---|---|-----|----------|----|
| 25 | 103 | 25 |   |   |   |   |   | 172 | 52x1/6"  |    |
| 32 | 124 | 32 |   |   |   |   |   | 214 | 58x1/6"  |    |
| 40 | 131 | 38 |   |   |   |   |   | 218 | 65x1/6"  |    |
| 50 | 138 | 48 |   |   |   |   |   | 226 | 78x1/6"  |    |
| 65 | 170 | 65 |   |   |   |   |   | 298 | 95x1/6"  |    |
| 80 | 181 | 73 |   |   |   |   |   | 304 | 110x1/4" |    |

Straight way ball valve K/M - S  
Kugelventil K/M - S

**41104**

**Dimensions • Baumaße**

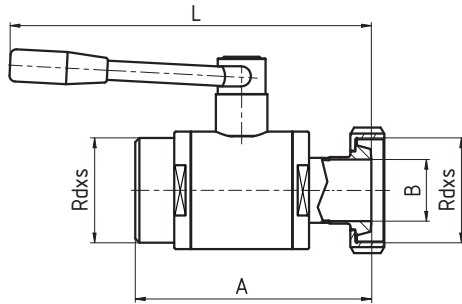


| DN | A   | B  | C  | D | E | F | R | L   | Rd x s   | kg |
|----|-----|----|----|---|---|---|---|-----|----------|----|
| 25 | 121 | 25 | 28 |   |   |   |   | 190 | 52x1/6"  |    |
| 32 | 142 | 32 | 34 |   |   |   |   | 232 | 58x1/6"  |    |
| 40 | 149 | 38 | 40 |   |   |   |   | 236 | 65x1/6"  |    |
| 50 | 157 | 48 | 52 |   |   |   |   | 245 | 78x1/6"  |    |
| 65 | 191 | 65 | 70 |   |   |   |   | 319 | 95x1/6"  |    |
| 80 | 202 | 73 | 85 |   |   |   |   | 325 | 110x1/4" |    |

Straight way ball valve K/M - G  
Kugelventil K/M - G

**41105**

**Dimensions • Baumaße**

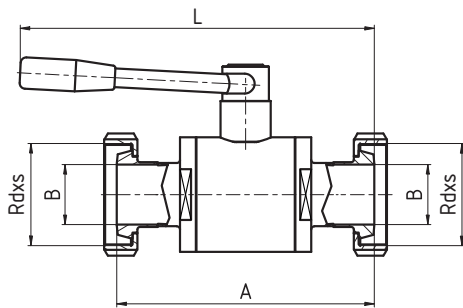


| DN | A   | B  | C | D | E | F | R | L   | Rd x s   | kg |
|----|-----|----|---|---|---|---|---|-----|----------|----|
| 25 | 121 | 25 |   |   |   |   |   | 190 | 52x1/6"  |    |
| 32 | 142 | 32 |   |   |   |   |   | 232 | 58x1/6"  |    |
| 40 | 149 | 38 |   |   |   |   |   | 236 | 65x1/6"  |    |
| 50 | 157 | 48 |   |   |   |   |   | 245 | 78x1/6"  |    |
| 65 | 191 | 65 |   |   |   |   |   | 319 | 95x1/6"  |    |
| 80 | 202 | 73 |   |   |   |   |   | 325 | 110x1/4" |    |
|    |     |    |   |   |   |   |   |     |          |    |
|    |     |    |   |   |   |   |   |     |          |    |
|    |     |    |   |   |   |   |   |     |          |    |
|    |     |    |   |   |   |   |   |     |          |    |
|    |     |    |   |   |   |   |   |     |          |    |
|    |     |    |   |   |   |   |   |     |          |    |
|    |     |    |   |   |   |   |   |     |          |    |
|    |     |    |   |   |   |   |   |     |          |    |
|    |     |    |   |   |   |   |   |     |          |    |

Straight way ball valve K/M - K/M  
Kugelventil K/M - K/M

**41106**

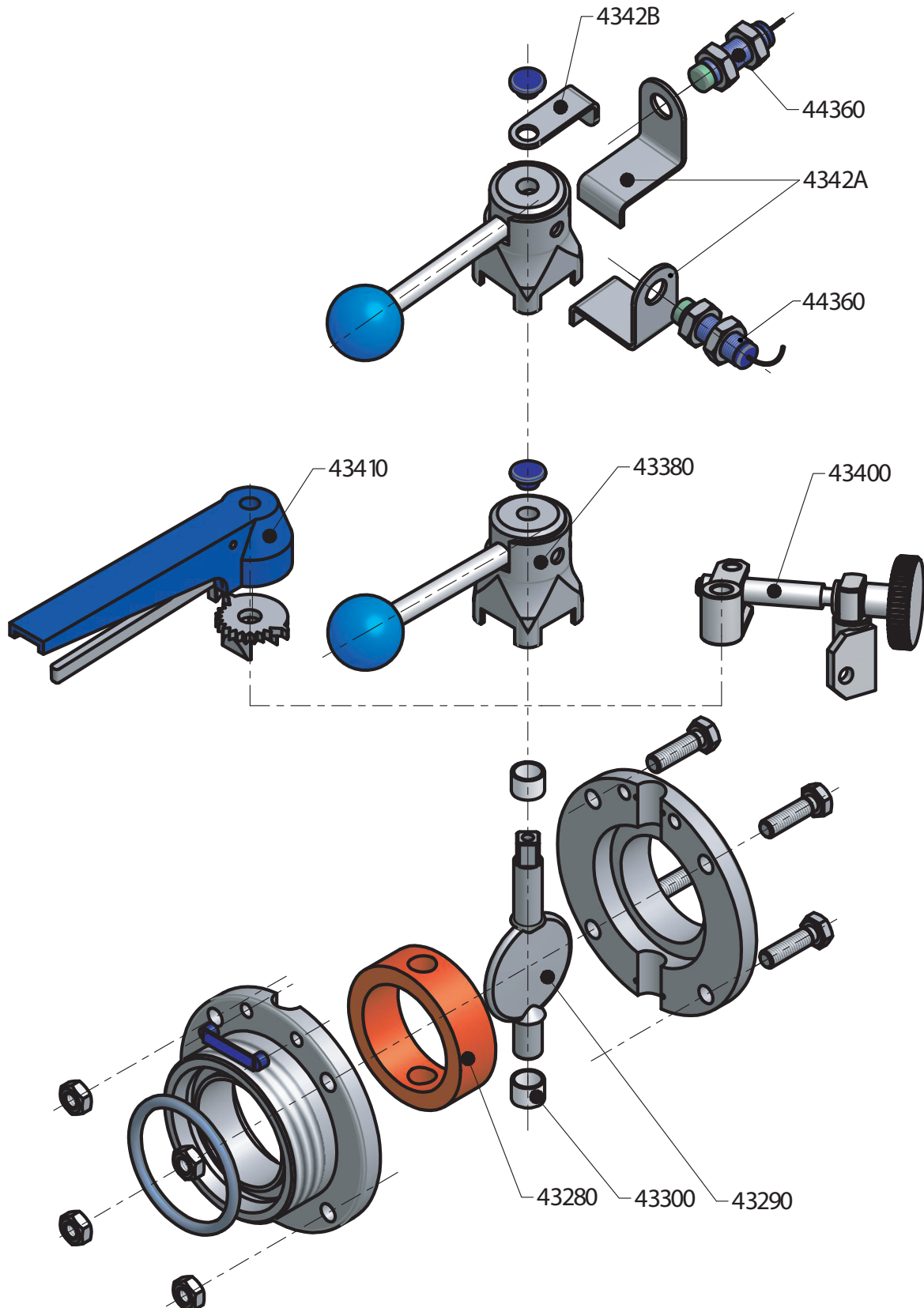
**Dimensions • Baumaße**



| DN | A   | B  | C | D | E | F | R | L   | Rd x s   | kg |
|----|-----|----|---|---|---|---|---|-----|----------|----|
| 25 | 147 | 25 |   |   |   |   |   | 194 | 52x1/6"  |    |
| 32 | 174 | 32 |   |   |   |   |   | 239 | 58x1/6"  |    |
| 40 | 183 | 38 |   |   |   |   |   | 244 | 65x1/6"  |    |
| 50 | 194 | 48 |   |   |   |   |   | 254 | 78x1/6"  |    |
| 65 | 234 | 65 |   |   |   |   |   | 330 | 95x1/6"  |    |
| 80 | 255 | 73 |   |   |   |   |   | 341 | 110x1/4" |    |
|    |     |    |   |   |   |   |   |     |          |    |
|    |     |    |   |   |   |   |   |     |          |    |
|    |     |    |   |   |   |   |   |     |          |    |
|    |     |    |   |   |   |   |   |     |          |    |
|    |     |    |   |   |   |   |   |     |          |    |
|    |     |    |   |   |   |   |   |     |          |    |
|    |     |    |   |   |   |   |   |     |          |    |
|    |     |    |   |   |   |   |   |     |          |    |
|    |     |    |   |   |   |   |   |     |          |    |

**Butterfly valve - variants control and signaling**

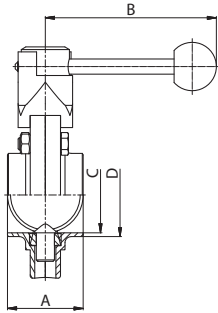
**Scheibenventil - variaten kontrolle und signalisierung**



Butterfly valve S - S  
Scheibenventil S - S

**43010**

**Dimensions • Baumaße**

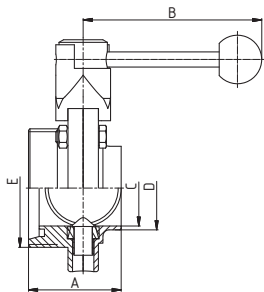


| DN  | A    | B   | C   | D   | E | F | R | L | Rd x s | kg |
|-----|------|-----|-----|-----|---|---|---|---|--------|----|
| 15  | 50,8 |     | 16  | 19  |   |   |   |   |        |    |
| 20  | 50,8 |     | 20  | 23  |   |   |   |   |        |    |
| 25  | 40   | 114 | 26  | 31  |   |   |   |   |        |    |
| 32  | 42   | 114 | 32  | 37  |   |   |   |   |        |    |
| 40  | 50   | 140 | 38  | 43  |   |   |   |   |        |    |
| 50  | 50   | 140 | 50  | 55  |   |   |   |   |        |    |
| 65  | 50   | 140 | 66  | 72  |   |   |   |   |        |    |
| 80  | 60   | 174 | 81  | 87  |   |   |   |   |        |    |
| 100 | 64   | 174 | 100 | 106 |   |   |   |   |        |    |
| 125 | 100  | 210 | 125 | 138 |   |   |   |   |        |    |
| 150 | 100  | 210 | 150 | 164 |   |   |   |   |        |    |

Butterfly valve G - S  
Scheibenventil G - S

**43020**

**Dimensions • Baumaße**

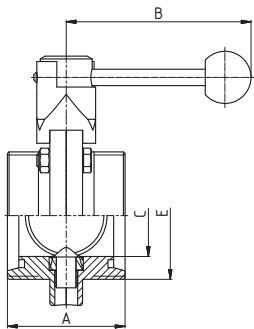


| DN  | A    | B   | C   | D   | E              | F | R | L | Rd x s | kg |
|-----|------|-----|-----|-----|----------------|---|---|---|--------|----|
|     |      |     |     |     | <b>DIN 405</b> |   |   |   |        |    |
| 15  | 58,4 |     | 16  | 19  | 34x1/8"        |   |   |   |        |    |
| 20  | 58,4 |     | 20  | 23  | 44x1/6"        |   |   |   |        |    |
| 25  | 52   | 114 | 26  | 31  | 52x1/6"        |   |   |   |        |    |
| 32  | 53   | 114 | 32  | 37  | 58x1/6"        |   |   |   |        |    |
| 40  | 61   | 140 | 38  | 43  | 65x1/6"        |   |   |   |        |    |
| 50  | 61   | 140 | 50  | 55  | 78x1/6"        |   |   |   |        |    |
| 65  | 63   | 140 | 66  | 72  | 95x1/6"        |   |   |   |        |    |
| 80  | 80   | 174 | 81  | 87  | 110x1/4"       |   |   |   |        |    |
| 100 | 84   | 174 | 100 | 106 | 130x1/4"       |   |   |   |        |    |
| 125 | 106  | 210 | 125 | 138 | 160x1/4"       |   |   |   |        |    |
| 150 | 112  | 210 | 150 | 164 | 190x1/4"       |   |   |   |        |    |

Butterfly valve G - G  
Scheibenventil G - G

**43030**

**Dimensions • Baumaße**

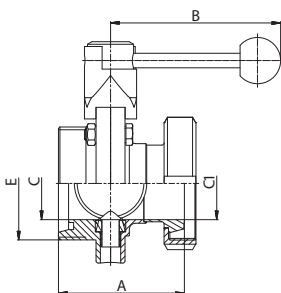


| DN  | A   | B   | C   | E              | F | F | R | L | Rd x s | kg |
|-----|-----|-----|-----|----------------|---|---|---|---|--------|----|
|     |     |     |     | <b>DIN 405</b> |   |   |   |   |        |    |
| 15  | 66  |     | 16  | 34x1/8"        |   |   |   |   |        |    |
| 20  | 66  |     | 20  | 44x1/6"        |   |   |   |   |        |    |
| 25  | 64  | 114 | 26  | 52x1/6"        |   |   |   |   |        |    |
| 32  | 64  | 114 | 32  | 58x1/6"        |   |   |   |   |        |    |
| 40  | 72  | 140 | 38  | 65x1/6"        |   |   |   |   |        |    |
| 50  | 72  | 140 | 50  | 78x1/6"        |   |   |   |   |        |    |
| 65  | 76  | 140 | 66  | 95x1/6"        |   |   |   |   |        |    |
| 80  | 100 | 174 | 81  | 110x1/4"       |   |   |   |   |        |    |
| 100 | 104 | 174 | 100 | 130x1/4"       |   |   |   |   |        |    |
| 125 | 112 | 210 | 125 | 160x1/4"       |   |   |   |   |        |    |
| 150 | 124 | 210 | 150 | 190x1/4"       |   |   |   |   |        |    |

Butterfly valve G - K/M  
Scheibenventil G - K/M

**43040**

**Dimensions • Baumaße**

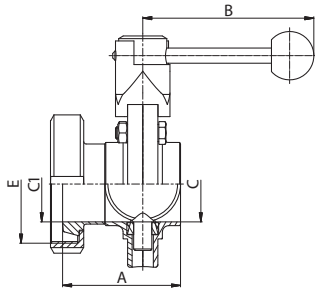


| DN  | A   | B   | C   | C1  | E              | R | L | Rd x s | kg |
|-----|-----|-----|-----|-----|----------------|---|---|--------|----|
|     |     |     |     |     | <b>DIN 405</b> |   |   |        |    |
| 25  | 72  | 114 | 26  | 26  | 52x1/6"        |   |   |        |    |
| 32  | 76  | 114 | 32  | 32  | 58x1/6"        |   |   |        |    |
| 40  | 85  | 140 | 38  | 38  | 65x1/6"        |   |   |        |    |
| 50  | 87  | 140 | 50  | 50  | 78x1/6"        |   |   |        |    |
| 65  | 93  | 140 | 66  | 66  | 95x1/6"        |   |   |        |    |
| 80  | 115 | 174 | 81  | 81  | 110x1/4"       |   |   |        |    |
| 100 | 126 | 174 | 100 | 100 | 130x1/4"       |   |   |        |    |
| 125 | 138 | 210 | 125 | 125 | 160x1/4"       |   |   |        |    |
| 150 | 147 | 210 | 150 | 150 | 190x1/4"       |   |   |        |    |

Butterfly valve K/M - S  
Scheibenventil K/M - S

**43050**

**Dimensions • Baumaße**

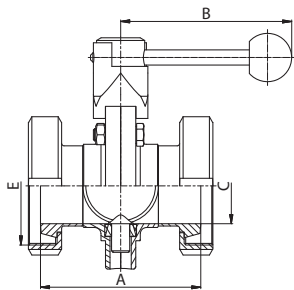


| DN  | A   | B   | C   | C1  | E              | R | L | Rd x s | kg |
|-----|-----|-----|-----|-----|----------------|---|---|--------|----|
|     |     |     |     |     | <b>DIN 405</b> |   |   |        |    |
| 25  | 60  | 114 | 26  | 26  | 52x1/6"        |   |   |        |    |
| 32  | 65  | 114 | 32  | 32  | 58x1/6"        |   |   |        |    |
| 40  | 74  | 140 | 38  | 38  | 65x1/6"        |   |   |        |    |
| 50  | 76  | 140 | 50  | 50  | 78x1/6"        |   |   |        |    |
| 65  | 80  | 140 | 66  | 66  | 95x1/6"        |   |   |        |    |
| 80  | 95  | 174 | 81  | 81  | 110x1/4"       |   |   |        |    |
| 100 | 106 | 174 | 100 | 100 | 130x1/4"       |   |   |        |    |
| 125 | 132 | 210 | 125 | 125 | 160x1/4"       |   |   |        |    |
| 150 | 135 | 210 | 150 | 150 | 190x1/4"       |   |   |        |    |

Butterfly valve K/M - K/M  
Scheibenventil K/M - K/M

**43060**

**Dimensions • Baumaße**

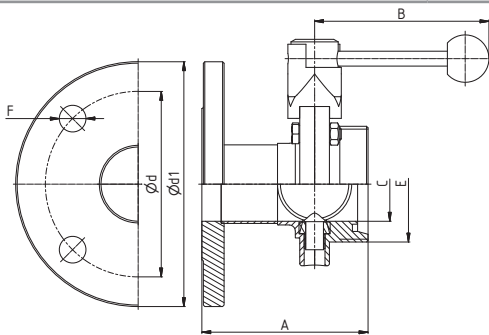


| DN  | A   | B   | C   | E              | F | G | R | L | Rd x s | kg |
|-----|-----|-----|-----|----------------|---|---|---|---|--------|----|
|     |     |     |     | <b>DIN 405</b> |   |   |   |   |        |    |
| 25  | 80  | 114 | 26  | 52x1/6"        |   |   |   |   |        |    |
| 32  | 88  | 114 | 32  | 58x1/6"        |   |   |   |   |        |    |
| 40  | 98  | 140 | 38  | 65x1/6"        |   |   |   |   |        |    |
| 50  | 102 | 140 | 50  | 78x1/6"        |   |   |   |   |        |    |
| 65  | 110 | 140 | 66  | 95x1/6"        |   |   |   |   |        |    |
| 80  | 130 | 174 | 81  | 110x1/4"       |   |   |   |   |        |    |
| 100 | 148 | 174 | 100 | 130x1/4"       |   |   |   |   |        |    |
| 125 | 164 | 210 | 125 | 160x1/4"       |   |   |   |   |        |    |
| 150 | 170 | 210 | 150 | 190x1/4"       |   |   |   |   |        |    |

Butterfly valve PN - G  
Scheibenventil PN - G

**4307B**

**Dimensions • Baumaße**

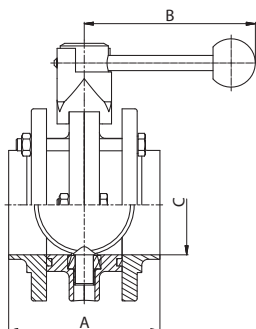


| DN  | A   | B   | C   | E              | d     | d1  | F  | L | Rd x s | kg |
|-----|-----|-----|-----|----------------|-------|-----|----|---|--------|----|
|     |     |     |     | <b>DIN 405</b> |       |     |    |   |        |    |
| 25  | 106 | 114 | 26  | 52x1/6"        | 85x4  | 115 | 14 |   |        |    |
| 32  | 106 | 114 | 32  | 58x1/6"        | 100x4 | 140 | 18 |   |        |    |
| 40  | 110 | 140 | 38  | 65x1/6"        | 110x4 | 150 | 18 |   |        |    |
| 50  | 112 | 140 | 50  | 78x1/6"        | 125x4 | 165 | 18 |   |        |    |
| 65  | 122 | 140 | 66  | 95x1/6"        | 145x4 | 185 | 18 |   |        |    |
| 80  | 135 | 174 | 81  | 110x1/4"       | 160x8 | 200 | 18 |   |        |    |
| 100 | 140 | 174 | 100 | 130x1/4"       | 180x8 | 220 | 18 |   |        |    |

Butterfly valve PN - PN  
Scheibenventil PN - PN

**43080**

**Dimensions • Baumaße**



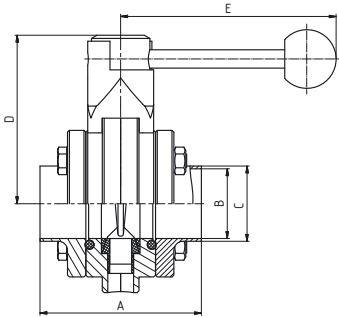
| DN  | A   | B   | C   | E | F | F | R | L | Rd x s | kg |
|-----|-----|-----|-----|---|---|---|---|---|--------|----|
| 25  | 84  | 114 | 26  |   |   |   |   |   |        |    |
| 32  | 86  | 114 | 32  |   |   |   |   |   |        |    |
| 40  | 100 | 140 | 38  |   |   |   |   |   |        |    |
| 50  | 100 | 140 | 50  |   |   |   |   |   |        |    |
| 65  | 100 | 140 | 66  |   |   |   |   |   |        |    |
| 80  | 120 | 174 | 81  |   |   |   |   |   |        |    |
| 100 | 146 | 174 | 100 |   |   |   |   |   |        |    |
| 125 | 168 | 210 | 125 |   |   |   |   |   |        |    |
| 150 | 188 | 210 | 150 |   |   |   |   |   |        |    |



Compact flange butterfly valve PN - PN  
Kompaktzwischenflansch-  
Scheibenventil PN - PN

**43081**

**Dimensions • Baumaße**

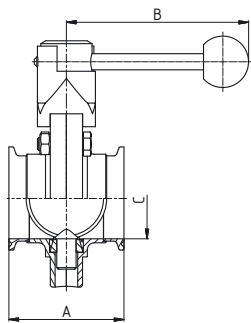


| DN  | A   | B   | C   | D     | E   | F | R | L | Rd x s | kg |
|-----|-----|-----|-----|-------|-----|---|---|---|--------|----|
| 25  | 78  | 26  | 31  | 87    | 117 |   |   |   |        |    |
| 32  | 78  | 32  | 37  | 90    | 117 |   |   |   |        |    |
| 40  | 88  | 38  | 43  | 92    | 126 |   |   |   |        |    |
| 50  | 88  | 50  | 53  | 98,5  | 126 |   |   |   |        |    |
| 65  | 88  | 66  | 72  | 107,5 | 126 |   |   |   |        |    |
| 80  | 120 | 81  | 87  | 120   | 153 |   |   |   |        |    |
| 100 | 124 | 100 | 106 | 130   | 153 |   |   |   |        |    |
| 125 | 140 | 125 | 132 | 160   | 205 |   |   |   |        |    |
| 150 | 160 | 150 | 157 | 175   | 205 |   |   |   |        |    |

Butterfly valve C - C  
Scheibenventil C - C

**43090**

**Dimensions • Baumaße**

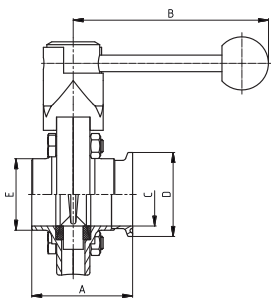


| DN  | A   | B   | C   | D | E | F | R | L | Rd x s | kg |
|-----|-----|-----|-----|---|---|---|---|---|--------|----|
| 25  | 79  | 114 | 26  |   |   |   |   |   |        |    |
| 32  | 81  | 114 | 32  |   |   |   |   |   |        |    |
| 40  | 89  | 140 | 38  |   |   |   |   |   |        |    |
| 50  | 89  | 140 | 50  |   |   |   |   |   |        |    |
| 65  | 102 | 140 | 66  |   |   |   |   |   |        |    |
| 80  | 112 | 174 | 81  |   |   |   |   |   |        |    |
| 100 | 116 | 174 | 100 |   |   |   |   |   |        |    |

Butterfly valve S - C  
Scheibenventil S - C

**43101**

**Dimensions • Baumaße**

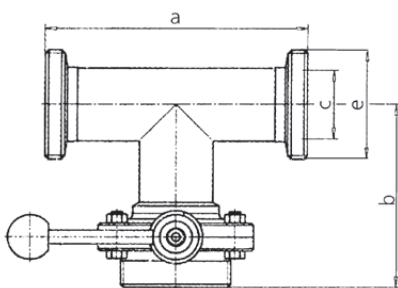


| DN  | A    | B   | C   | D    | E   | F | R | L | Rd x s | kg  |
|-----|------|-----|-----|------|-----|---|---|---|--------|-----|
| 25  | 59,5 | 114 | 26  | 50,5 | 31  |   |   |   |        | 1,3 |
| 32  | 61,5 | 114 | 32  | 50,5 | 37  |   |   |   |        | 1,4 |
| 40  | 69,5 | 140 | 38  | 50,5 | 43  |   |   |   |        | 1,6 |
| 50  | 69,5 | 140 | 50  | 64   | 55  |   |   |   |        | 1,8 |
| 65  | 76   | 140 | 66  | 91   | 72  |   |   |   |        | 2,2 |
| 80  | 86   | 174 | 81  | 106  | 87  |   |   |   |        | 3,9 |
| 100 | 90   | 174 | 100 | 119  | 106 |   |   |   |        | 4,6 |

Tee with one butterfly valve G - G - G  
Mehrwege-Scheibenventil G - G - G

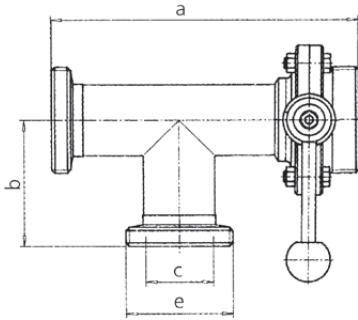
**43110**

**Dimensions • Baumaße**



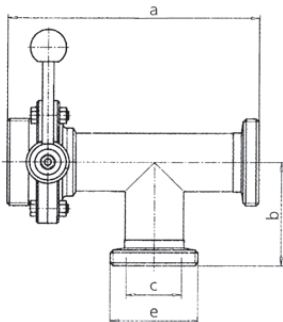
| DN  | A   | B     | C   | E              | F | F | R | L | Rd x s | kg |
|-----|-----|-------|-----|----------------|---|---|---|---|--------|----|
|     |     |       |     | <b>DIN 405</b> |   |   |   |   |        |    |
| 25  | 144 | 100   | 26  | 52x1/6"        |   |   |   |   |        |    |
| 32  | 154 | 106   | 32  | 58x1/6"        |   |   |   |   |        |    |
| 40  | 164 | 119   | 38  | 65x1/6"        |   |   |   |   |        |    |
| 50  | 186 | 127   | 50  | 78x1/6"        |   |   |   |   |        |    |
| 65  | 210 | 141   | 66  | 95x1/6"        |   |   |   |   |        |    |
| 80  | 230 | 168   | 81  | 110x1/4"       |   |   |   |   |        |    |
| 100 | 260 | 182   | 100 | 130x1/4"       |   |   |   |   |        |    |
| 125 | 446 | 291,5 | 125 | 160x1/4"       |   |   |   |   |        |    |
| 150 | 530 | 335   | 150 | 190x1/4"       |   |   |   |   |        |    |

Tee with one butterfly valve G - G - G  
Mehrwege-Scheibventil G - G - G

**43120** Dimensions • Baumaße


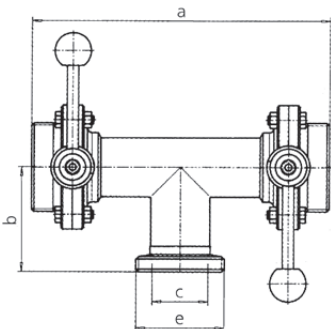
| DN  | A     | B   | C   | E              | F | G | R | L | Rd x s | kg |
|-----|-------|-----|-----|----------------|---|---|---|---|--------|----|
|     |       |     |     | <b>DIN 405</b> |   |   |   |   |        |    |
| 25  | 172   | 72  | 26  | 52x1/6"        |   |   |   |   |        |    |
| 32  | 183   | 77  | 32  | 58x1/6"        |   |   |   |   |        |    |
| 40  | 201   | 82  | 38  | 65x1/6"        |   |   |   |   |        |    |
| 50  | 222   | 93  | 50  | 78x1/6"        |   |   |   |   |        |    |
| 65  | 146   | 105 | 66  | 95x1/6"        |   |   |   |   |        |    |
| 80  | 283   | 115 | 81  | 110x1/4"       |   |   |   |   |        |    |
| 100 | 312   | 130 | 100 | 130x1/4"       |   |   |   |   |        |    |
| 125 | 514,5 | 223 | 125 | 160x1/4"       |   |   |   |   |        |    |
| 150 | 600   | 265 | 150 | 190x1/4"       |   |   |   |   |        |    |

Tee with one butterfly valve G - G - G  
Mehrwege-Scheibventil G - G - G

**43130** Dimensions • Baumaße


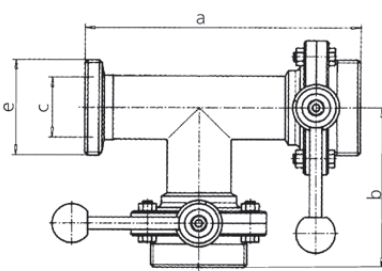
| DN  | A     | B   | C   | E              | F | G | R | L | Rd x s | kg |
|-----|-------|-----|-----|----------------|---|---|---|---|--------|----|
|     |       |     |     | <b>DIN 405</b> |   |   |   |   |        |    |
| 25  | 172   | 72  | 26  | 52x1/6"        |   |   |   |   |        |    |
| 32  | 183   | 77  | 32  | 58x1/6"        |   |   |   |   |        |    |
| 40  | 201   | 82  | 38  | 65x1/6"        |   |   |   |   |        |    |
| 50  | 222   | 93  | 50  | 78x1/6"        |   |   |   |   |        |    |
| 65  | 146   | 105 | 66  | 95x1/6"        |   |   |   |   |        |    |
| 80  | 283   | 115 | 81  | 110x1/4"       |   |   |   |   |        |    |
| 100 | 312   | 130 | 100 | 130x1/4"       |   |   |   |   |        |    |
| 125 | 514,5 | 223 | 125 | 160x1/4"       |   |   |   |   |        |    |
| 150 | 600   | 265 | 150 | 190x1/4"       |   |   |   |   |        |    |

Tee with two butterfly valves G - G - G  
Mehrwege-Scheibventil G - G - G

**43140** Dimensions • Baumaße


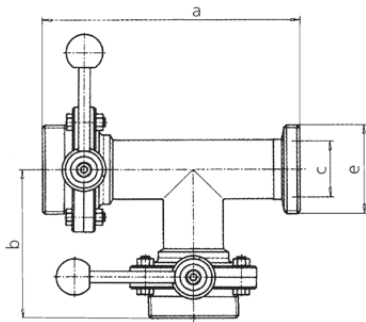
| DN  | A   | B   | C   | E              | F | G | R | L | Rd x s | kg |
|-----|-----|-----|-----|----------------|---|---|---|---|--------|----|
|     |     |     |     | <b>DIN 405</b> |   |   |   |   |        |    |
| 25  | 200 | 72  | 26  | 52x1/6"        |   |   |   |   |        |    |
| 32  | 212 | 77  | 32  | 58x1/6"        |   |   |   |   |        |    |
| 40  | 238 | 82  | 38  | 65x1/6"        |   |   |   |   |        |    |
| 50  | 258 | 93  | 50  | 78x1/6"        |   |   |   |   |        |    |
| 65  | 282 | 105 | 66  | 95x1/6"        |   |   |   |   |        |    |
| 80  | 336 | 115 | 81  | 110x1/4"       |   |   |   |   |        |    |
| 100 | 364 | 130 | 100 | 130x1/4"       |   |   |   |   |        |    |
| 125 | 583 | 223 | 125 | 160x1/4"       |   |   |   |   |        |    |
| 150 | 670 | 265 | 150 | 190x1/4"       |   |   |   |   |        |    |

Tee with two butterfly valves G - G - G  
Mehrwege-Scheibventil G - G - G

**43150** Dimensions • Baumaße


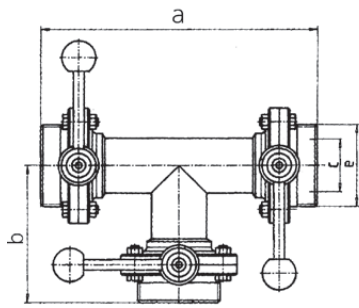
| DN  | A     | B     | C   | E              | F | G | R | L | Rd x s | kg |
|-----|-------|-------|-----|----------------|---|---|---|---|--------|----|
|     |       |       |     | <b>DIN 405</b> |   |   |   |   |        |    |
| 25  | 172   | 100   | 26  | 52x1/6"        |   |   |   |   |        |    |
| 32  | 183   | 106   | 32  | 58x1/6"        |   |   |   |   |        |    |
| 40  | 201   | 119   | 38  | 65x1/6"        |   |   |   |   |        |    |
| 50  | 222   | 127   | 50  | 78x1/6"        |   |   |   |   |        |    |
| 65  | 246   | 141   | 66  | 95x1/6"        |   |   |   |   |        |    |
| 80  | 283   | 168   | 81  | 110x1/4"       |   |   |   |   |        |    |
| 100 | 312   | 182   | 100 | 130x1/4"       |   |   |   |   |        |    |
| 125 | 514,5 | 291,5 | 125 | 160x1/4"       |   |   |   |   |        |    |
| 150 | 600   | 335   | 150 | 190x1/4"       |   |   |   |   |        |    |

Tee with two butterfly valves G - G - G  
 Mehrwege-Scheibenventil G - G - G

**43160**
**Dimensions • Baumaße**


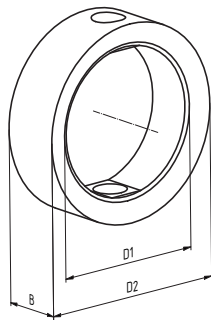
| DN  | A     | B     | C   | E              | E | F | R | L | Rd x s | kg |
|-----|-------|-------|-----|----------------|---|---|---|---|--------|----|
|     |       |       |     | <b>DIN 405</b> |   |   |   |   |        |    |
| 25  | 172   | 100   | 26  | 52x1/6"        |   |   |   |   |        |    |
| 32  | 183   | 106   | 32  | 58x1/6"        |   |   |   |   |        |    |
| 40  | 201   | 119   | 38  | 65x1/6"        |   |   |   |   |        |    |
| 50  | 222   | 127   | 50  | 78x1/6"        |   |   |   |   |        |    |
| 65  | 246   | 141   | 66  | 95x1/6"        |   |   |   |   |        |    |
| 80  | 283   | 168   | 81  | 110x1/4"       |   |   |   |   |        |    |
| 100 | 312   | 182   | 100 | 130x1/4"       |   |   |   |   |        |    |
| 125 | 514,5 | 291,5 | 125 | 160x1/4"       |   |   |   |   |        |    |
| 150 | 600   | 335   | 150 | 190x1/4"       |   |   |   |   |        |    |

Tee with three butterfly valves G - G - G  
 Mehrwege-Scheibenventil G - G - G

**43170**
**Dimensions • Baumaße**


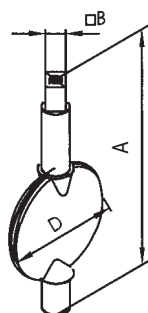
| DN  | A   | B     | C   | E              | F | F | R | L | Rd x s | kg   |
|-----|-----|-------|-----|----------------|---|---|---|---|--------|------|
|     |     |       |     | <b>DIN 405</b> |   |   |   |   |        |      |
| 25  | 200 | 100   | 26  | 52x1/6"        |   |   |   |   |        | 1,34 |
| 32  | 212 | 106   | 32  | 58x1/6"        |   |   |   |   |        | 1,39 |
| 40  | 238 | 119   | 38  | 65x1/6"        |   |   |   |   |        | 1,56 |
| 50  | 258 | 127   | 50  | 78x1/6"        |   |   |   |   |        | 1,76 |
| 65  | 282 | 141   | 66  | 95x1/6"        |   |   |   |   |        | 2,24 |
| 80  | 336 | 168   | 81  | 110x1/4"       |   |   |   |   |        | 3,91 |
| 100 | 364 | 182   | 100 | 130x1/4"       |   |   |   |   |        | 4,56 |
| 125 | 583 | 291,5 | 125 | 160x1/4"       |   |   |   |   |        |      |
| 150 | 670 | 335   | 150 | 190x1/4"       |   |   |   |   |        |      |

Gasket for butterfly valve  
 Dichtung für Scheibenventil

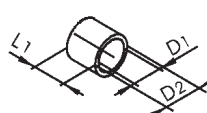
**43280**
**Dimensions • Baumaße**

**DIN**

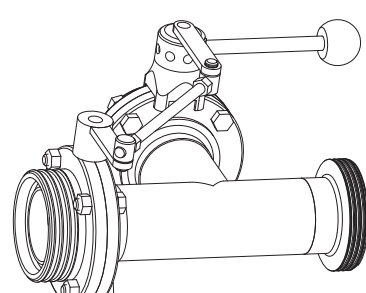
| DN  | D1  | D2    | B    | C | E | F | R | L | Rd x s | kg |
|-----|-----|-------|------|---|---|---|---|---|--------|----|
| 25  | 26  | 40,1  | 20   |   |   |   |   |   |        |    |
| 32  | 32  | 48    | 20,5 |   |   |   |   |   |        |    |
| 40  | 38  | 54,6  | 21   |   |   |   |   |   |        |    |
| 50  | 50  | 66,5  | 21   |   |   |   |   |   |        |    |
| 65  | 66  | 84,6  | 22   |   |   |   |   |   |        |    |
| 80  | 81  | 99,9  | 24   |   |   |   |   |   |        |    |
| 100 | 100 | 115,4 | 26,5 |   |   |   |   |   |        |    |

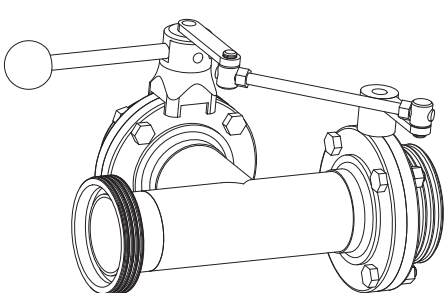
Butterfly disk  
 Drehklappe für Scheibenventil

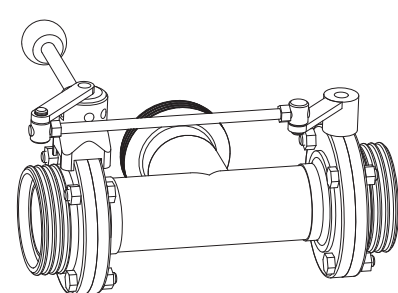
**43290**
**Dimensions • Baumaße**

**DIN**

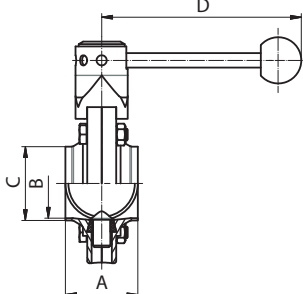
| DN  | A     | B    | C | D   | E | F | R | L | Rd x s | kg   |
|-----|-------|------|---|-----|---|---|---|---|--------|------|
| 25  | 80    | 9,5  |   | 26  |   |   |   |   |        | 0,05 |
| 32  | 87,6  | 9,5  |   | 32  |   |   |   |   |        | 0,06 |
| 40  | 93,6  | 9,5  |   | 38  |   |   |   |   |        | 0,10 |
| 50  | 111   | 9,5  |   | 50  |   |   |   |   |        | 0,15 |
| 65  | 128,1 | 9,5  |   | 66  |   |   |   |   |        | 0,24 |
| 80  | 143,8 | 9,5  |   | 81  |   |   |   |   |        | 0,39 |
| 100 | 163,9 | 9,5  |   | 100 |   |   |   |   |        | 0,63 |
| 125 | 214   | 14,0 |   | 125 |   |   |   |   |        | 1,16 |
| 150 | 245,8 | 14,0 |   | 150 |   |   |   |   |        | 2,00 |

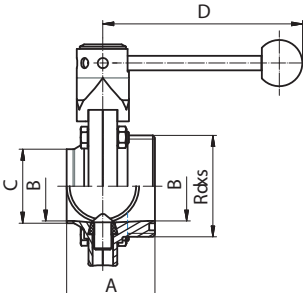
| Butterfly valve bushing (pair)<br>Scheibenventil-buchse (paar)                    | <b>43300</b> | <b>Dimensions • Baumaße</b> |    |    |    |   |   |   |        |    |
|---|--------------|-----------------------------|----|----|----|---|---|---|--------|----|
|   |              | DN                          | D1 | D2 | L1 | E | R | L | Rd x s | kg |
|  |              | 25                          | 10 | 12 | 5  |   |   |   |        |    |
|   |              | 32                          | 10 | 12 | 5  |   |   |   |        |    |
|   |              | 40                          | 12 | 14 | 10 |   |   |   |        |    |
|   |              | 50                          | 12 | 14 | 10 |   |   |   |        |    |
|   |              | 65                          | 12 | 14 | 10 |   |   |   |        |    |
|   |              | 80                          | 14 | 16 | 12 |   |   |   |        |    |
|   |              | 100                         | 14 | 16 | 12 |   |   |   |        |    |
|   |              | 125                         | 18 | 20 | 18 |   |   |   |        |    |
|   |              | 150                         | 18 | 20 | 18 |   |   |   |        |    |
|   |              |                             |    |    |    |   |   |   |        |    |

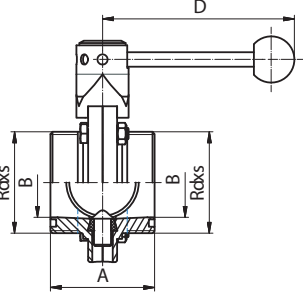
| Tee with two butterfly valves G - G - G<br>with combination handle<br>Mehrwege-Scheibenventil G - G - G mit Schaltkombination | <b>43310</b> | <b>Dimensions • Baumaße</b> |   |   |   |   |   |   |        |    |
|---|--------------|-----------------------------|---|---|---|---|---|---|--------|----|
|   |              | DN                          | A | B | C | E | R | L | Rd x s | kg |
|   |              | 25                          |   |   |   |   |   |   |        |    |
|   |              | 32                          |   |   |   |   |   |   |        |    |
|   |              | 40                          |   |   |   |   |   |   |        |    |
|   |              | 50                          |   |   |   |   |   |   |        |    |
|   |              | 65                          |   |   |   |   |   |   |        |    |
|   |              | 80                          |   |   |   |   |   |   |        |    |
|   |              | 100                         |   |   |   |   |   |   |        |    |
|   |              | 125                         |   |   |   |   |   |   |        |    |
|   |              | 150                         |   |   |   |   |   |   |        |    |
|   |              |                             |   |   |   |   |   |   |        |    |

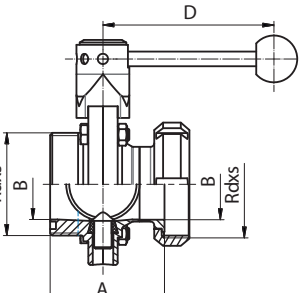
| Tee with two butterfly valves G - G - G<br>with combination handle<br>Mehrwege-Scheibenventil G - G - G mit Schaltkombination | <b>43320</b> | <b>Dimensions • Baumaße</b> |   |   |   |   |   |   |        |    |
|---|--------------|-----------------------------|---|---|---|---|---|---|--------|----|
|   |              | DN                          | A | B | C | E | R | L | Rd x s | kg |
|    |              | 25                          |   |   |   |   |   |   |        |    |
|   |              | 32                          |   |   |   |   |   |   |        |    |
|   |              | 40                          |   |   |   |   |   |   |        |    |
|   |              | 50                          |   |   |   |   |   |   |        |    |
|   |              | 65                          |   |   |   |   |   |   |        |    |
|   |              | 80                          |   |   |   |   |   |   |        |    |
|   |              | 100                         |   |   |   |   |   |   |        |    |
|   |              | 125                         |   |   |   |   |   |   |        |    |
|   |              | 150                         |   |   |   |   |   |   |        |    |
|   |              |                             |   |   |   |   |   |   |        |    |

| Tee with two butterfly valves G - G - G<br>with combination handle<br>Mehrwege-Scheibenventil G - G - G mit Schaltkombination | <b>43330</b> | <b>Dimensions • Baumaße</b> |   |   |   |   |   |   |        |    |
|---|--------------|-----------------------------|---|---|---|---|---|---|--------|----|
|   |              | DN                          | A | B | C | E | R | L | Rd x s | kg |
|    |              | 25                          |   |   |   |   |   |   |        |    |
|   |              | 32                          |   |   |   |   |   |   |        |    |
|   |              | 40                          |   |   |   |   |   |   |        |    |
|   |              | 50                          |   |   |   |   |   |   |        |    |
|   |              | 65                          |   |   |   |   |   |   |        |    |
|   |              | 80                          |   |   |   |   |   |   |        |    |
|   |              | 100                         |   |   |   |   |   |   |        |    |
|   |              | 125                         |   |   |   |   |   |   |        |    |
|   |              | 150                         |   |   |   |   |   |   |        |    |
|   |              |                             |   |   |   |   |   |   |        |    |

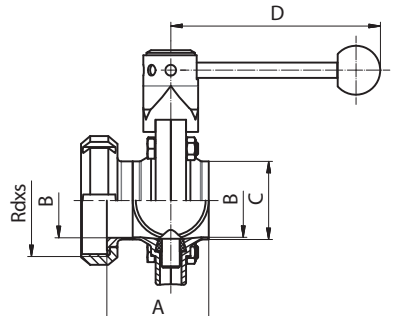
|   |              |                             |          |          |          |          |          |          |          |          |               |           |
|---|--------------|-----------------------------|----------|----------|----------|----------|----------|----------|----------|----------|---------------|-----------|
| Butterfly valve SMS S - S<br>Scheibenventil SMS S - S                             | <b>46010</b> | <b>Dimensions • Baumaße</b> |          |          |          |          |          |          |          |          |               |           |
|   | <b>SMS</b>   | <b>DN</b>                   | <b>A</b> | <b>B</b> | <b>C</b> | <b>D</b> | <b>F</b> | <b>F</b> | <b>R</b> | <b>L</b> | <b>Rd x s</b> | <b>kg</b> |
|  |              | <b>25</b>                   | 40       | 22       | 25       | 102,5    |          |          |          |          |               |           |
|   |              | <b>38</b>                   | 50       | 35       | 38       | 102,5    |          |          |          |          |               |           |
|   |              | <b>51</b>                   | 50       | 48       | 51       | 132,5    |          |          |          |          |               |           |
|   |              | <b>63,5</b>                 | 50       | 60,5     | 63,5     | 132,5    |          |          |          |          |               |           |
|   |              | <b>76,1</b>                 | 60       | 72,1     | 76,1     | 155      |          |          |          |          |               |           |
|   |              | <b>101,6</b>                | 64       | 97,6     | 101,6    | 155      |          |          |          |          |               |           |
|   |              |                             |          |          |          |          |          |          |          |          |               |           |

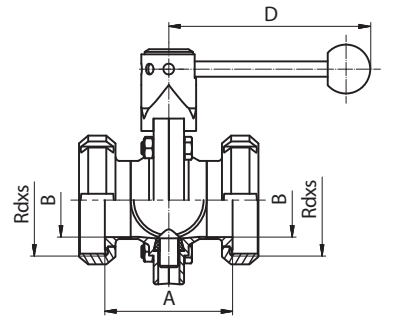
|  |              |                             |          |          |          |          |          |          |          |          |                |           |  |
|--|--------------|-----------------------------|----------|----------|----------|----------|----------|----------|----------|----------|----------------|-----------|--|
| Butterfly valve SMS S - G<br>Scheibenventil SMS S - G                              | <b>46020</b> | <b>Dimensions • Baumaße</b> |          |          |          |          |          |          |          |          |                |           |  |
|  | <b>SMS</b>   | <b>DN</b>                   | <b>A</b> | <b>B</b> | <b>C</b> | <b>D</b> | <b>E</b> | <b>G</b> | <b>R</b> | <b>L</b> | <b>Rd x s</b>  | <b>kg</b> |  |
|  |              |                             |          |          |          |          |          |          |          |          | <b>DIN 405</b> |           |  |
|  |              | <b>25</b>                   | 52       | 22       | 25       | 102,5    |          |          |          |          |                | 40x1/6"   |  |
|  |              | <b>38</b>                   | 61       | 35       | 38       | 102,5    |          |          |          |          |                | 60x1/6"   |  |
|  |              | <b>51</b>                   | 61       | 48       | 51       | 132,5    |          |          |          |          |                | 70x1/6"   |  |
|  |              | <b>63,5</b>                 | 63       | 60,5     | 63,5     | 132,5    |          |          |          |          |                | 85x1/6"   |  |
|  |              | <b>76,1</b>                 | 80       | 72,1     | 76,1     | 155      |          |          |          |          |                | 98x1/6"   |  |
|  |              | <b>101,6</b>                | 84       | 97,6     | 101,6    | 155      |          |          |          |          |                | 125x1/4"  |  |

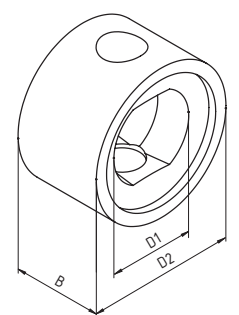
|   |              |                             |          |          |          |          |          |          |          |          |                |           |  |
|---|--------------|-----------------------------|----------|----------|----------|----------|----------|----------|----------|----------|----------------|-----------|--|
| Butterfly valve SMS G - G<br>Scheibenventil SMS G - G                               | <b>46030</b> | <b>Dimensions • Baumaße</b> |          |          |          |          |          |          |          |          |                |           |  |
|   | <b>SMS</b>   | <b>DN</b>                   | <b>A</b> | <b>B</b> | <b>D</b> | <b>E</b> | <b>F</b> | <b>F</b> | <b>R</b> | <b>L</b> | <b>Rd x s</b>  | <b>kg</b> |  |
|  |              |                             |          |          |          |          |          |          |          |          | <b>DIN 405</b> |           |  |
|   |              | <b>25</b>                   | 64       | 22       | 102,5    |          |          |          |          |          |                | 40x1/6"   |  |
|   |              | <b>38</b>                   | 72       | 35       | 102,5    |          |          |          |          |          |                | 60x1/6"   |  |
|   |              | <b>51</b>                   | 72       | 48       | 132,5    |          |          |          |          |          |                | 70x1/6"   |  |
|   |              | <b>63,5</b>                 | 76       | 60,5     | 132,5    |          |          |          |          |          |                | 85x1/6"   |  |
|   |              | <b>76,1</b>                 | 100      | 72,1     | 155      |          |          |          |          |          |                | 98x1/6"   |  |
|   |              | <b>101,6</b>                | 104      | 97,6     | 155      |          |          |          |          |          |                | 125x1/4"  |  |

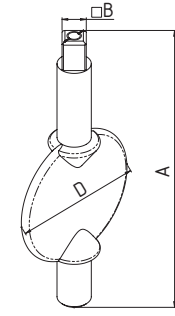
|   |              |                             |          |          |          |          |          |          |          |          |                |           |  |
|---|--------------|-----------------------------|----------|----------|----------|----------|----------|----------|----------|----------|----------------|-----------|--|
| Butterfly valve SMS G - K/M<br>Scheibenventil SMS G - K/M                           | <b>46040</b> | <b>Dimensions • Baumaße</b> |          |          |          |          |          |          |          |          |                |           |  |
|   | <b>SMS</b>   | <b>DN</b>                   | <b>A</b> | <b>B</b> | <b>D</b> | <b>E</b> | <b>F</b> | <b>G</b> | <b>R</b> | <b>L</b> | <b>Rd x s</b>  | <b>kg</b> |  |
|  |              |                             |          |          |          |          |          |          |          |          | <b>DIN 405</b> |           |  |
|   |              | <b>25</b>                   | 67,5     | 22       | 102,5    |          |          |          |          |          |                | 40x1/6"   |  |
|   |              | <b>38</b>                   | 77       | 35       | 102,5    |          |          |          |          |          |                | 60x1/6"   |  |
|   |              | <b>51</b>                   | 78       | 48       | 132,5    |          |          |          |          |          |                | 70x1/6"   |  |
|   |              | <b>63,5</b>                 | 80       | 60,5     | 132,5    |          |          |          |          |          |                | 85x1/6"   |  |
|   |              | <b>76,1</b>                 | 99       | 72,1     | 155      |          |          |          |          |          |                | 98x1/6"   |  |
|   |              | <b>101,6</b>                | 103      | 97,6     | 155      |          |          |          |          |          |                | 125x1/4"  |  |

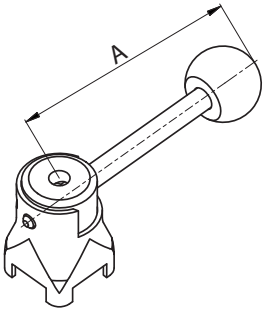


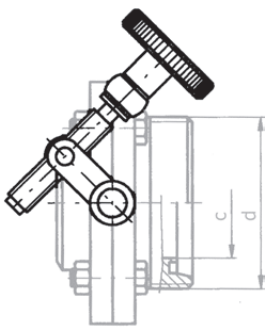
| Butterfly valve SMS K/M - S<br>Scheibenventil SMS K/M - S                         | 46050 | Dimensions • Baumaße |      |      |       |       |   |   |   |   |                |          |  |
|---|-------|----------------------|------|------|-------|-------|---|---|---|---|----------------|----------|--|
|   | SMS   | DN                   | A    | B    | C     | D     | F | F | R | L | Rd x s         | kg       |  |
|  |       |                      |      |      |       |       |   |   |   |   | <b>DIN 405</b> |          |  |
|   |       | 25                   | 55,5 | 22   | 25    | 102,5 |   |   |   |   |                | 40x1/6"  |  |
|   |       | 38                   | 66   | 35   | 38    | 102,5 |   |   |   |   |                | 60x1/6"  |  |
|   |       | 51                   | 67   | 48   | 51    | 132,5 |   |   |   |   |                | 70x1/6"  |  |
|   |       | 63,5                 | 67   | 60,5 | 63,5  | 132,5 |   |   |   |   |                | 85x1/6"  |  |
|   |       | 76,1                 | 79   | 72,1 | 76,1  | 155   |   |   |   |   |                | 98x1/6"  |  |
|   |       | 101,6                | 83   | 97,6 | 101,6 | 155   |   |   |   |   |                | 125x1/4" |  |

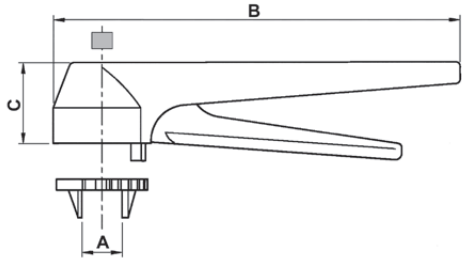
| Butterfly valve SMS K/M - K/M<br>Scheibenventil SMS K/M - K/M                      | 46060 | Dimensions • Baumaße |      |      |       |   |   |   |   |   |                |          |  |
|--|-------|----------------------|------|------|-------|---|---|---|---|---|----------------|----------|--|
|  | SMS   | DN                   | A    | B    | D     | D | E | G | R | L | Rd x s         | kg       |  |
|  |       |                      |      |      |       |   |   |   |   |   | <b>DIN 405</b> |          |  |
|  |       | 25                   | 55,5 | 22   | 102,5 |   |   |   |   |   |                | 40x1/6"  |  |
|  |       | 38                   | 66   | 35   | 102,5 |   |   |   |   |   |                | 60x1/6"  |  |
|  |       | 51                   | 67   | 48   | 132,5 |   |   |   |   |   |                | 70x1/6"  |  |
|  |       | 63,5                 | 67   | 60,5 | 132,5 |   |   |   |   |   |                | 85x1/6"  |  |
|  |       | 76,1                 | 79   | 72,1 | 155   |   |   |   |   |   |                | 98x1/6"  |  |
|  |       | 101,6                | 83   | 97,6 | 155   |   |   |   |   |   |                | 125x1/4" |  |

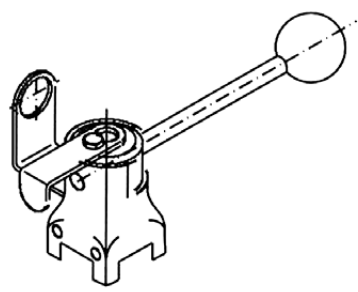
| Gasket for butterfly valve<br>Dichtung für Scheibenventil                           | 46280 | Dimensions • Baumaße |      |      |    |   |   |   |   |   |        |    |  |
|---|-------|----------------------|------|------|----|---|---|---|---|---|--------|----|--|
|   | SMS   | DN                   | D1   | D2   | B  | C | E | F | R | L | Rd x s | kg |  |
|  |       |                      |      |      |    |   |   |   |   |   |        |    |  |
|   |       | 25                   | 32,1 | 38,1 | 23 |   |   |   |   |   |        |    |  |
|   |       | 38                   | 45,8 | 51,8 | 23 |   |   |   |   |   |        |    |  |
|   |       | 50                   | 59,3 | 65,9 | 23 |   |   |   |   |   |        |    |  |
|   |       | 63                   | 68,3 | 75,9 | 23 |   |   |   |   |   |        |    |  |
|   |       | 76                   | 81   | 88,4 | 25 |   |   |   |   |   |        |    |  |
|   |       | 100                  | 111  | 121  | 29 |   |   |   |   |   |        |    |  |

| Butterfly disk<br>Drehklappe für Scheibenventil                                     | 46290 | Dimensions • Baumaße |        |     |   |      |   |   |   |   |        |    |
|---|-------|----------------------|--------|-----|---|------|---|---|---|---|--------|----|
|   | SMS   | DN                   | A      | B   | C | D    | E | G | R | L | Rd x s | kg |
|  |       |                      |        |     |   |      |   |   |   |   |        |    |
|   |       | 25                   | 80     | 9,5 |   | 22,5 |   |   |   |   |        |    |
|   |       | 38                   | 93,6   | 9,5 |   | 36   |   |   |   |   |        |    |
|   |       | 50                   | 111    | 9,5 |   | 50   |   |   |   |   |        |    |
|   |       | 63                   | 128,1  | 9,5 |   | 60   |   |   |   |   |        |    |
|   |       | 76                   | 141,85 | 9,5 |   | 70,5 |   |   |   |   |        |    |
|   |       | 100                  | 163,9  | 9,5 |   | 99,6 |   |   |   |   |        |    |

|   |              |                             |          |          |          |          |          |          |          |          |               |           |
|---|--------------|-----------------------------|----------|----------|----------|----------|----------|----------|----------|----------|---------------|-----------|
| Handle for butterfly valve<br>Zuggriff für Scheibenventil                         | <b>43380</b> | <b>Dimensions • Baumaße</b> |          |          |          |          |          |          |          |          |               |           |
|   |              | <b>DN</b>                   | <b>A</b> | <b>B</b> | <b>D</b> | <b>E</b> | <b>F</b> | <b>F</b> | <b>R</b> | <b>L</b> | <b>Rd x s</b> | <b>kg</b> |
|  |              | 25-32                       | 114      |          |          |          |          |          |          |          |               |           |
|   |              | 40-65                       | 140      |          |          |          |          |          |          |          |               |           |
|   |              | 80-100                      | 174      |          |          |          |          |          |          |          |               |           |
|   |              | 125-150                     | 210      |          |          |          |          |          |          |          |               |           |
|   |              |                             |          |          |          |          |          |          |          |          |               |           |

|  |              |                             |          |          |          |          |          |          |          |          |               |           |
|--|--------------|-----------------------------|----------|----------|----------|----------|----------|----------|----------|----------|---------------|-----------|
| Handle-screw<br>Handgriff stufenlos  | <b>43400</b> | <b>Dimensions • Baumaße</b> |          |          |          |          |          |          |          |          |               |           |
|  |              | <b>DN</b>                   | <b>A</b> | <b>B</b> | <b>D</b> | <b>E</b> | <b>F</b> | <b>G</b> | <b>R</b> | <b>L</b> | <b>Rd x s</b> | <b>kg</b> |
|  |              | 25                          |          |          |          |          |          |          |          |          |               |           |
|  |              | 32                          |          |          |          |          |          |          |          |          |               |           |
|  |              | 40                          |          |          |          |          |          |          |          |          |               |           |
|  |              | 50                          |          |          |          |          |          |          |          |          |               |           |
|  |              | 65                          |          |          |          |          |          |          |          |          |               |           |
|  |              | 80                          |          |          |          |          |          |          |          |          |               |           |
|  |              | 100                         |          |          |          |          |          |          |          |          |               |           |
|  |              | 125                         |          |          |          |          |          |          |          |          |               |           |
|  |              | 150                         |          |          |          |          |          |          |          |          |               |           |
|  |              |                             |          |          |          |          |          |          |          |          |               |           |

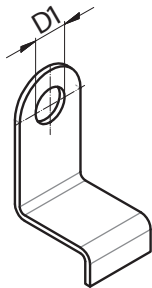
|   |              |                             |          |          |          |          |          |          |          |          |               |           |
|---|--------------|-----------------------------|----------|----------|----------|----------|----------|----------|----------|----------|---------------|-----------|
| Scissors handle (plastic)<br>Zangengriff mit arretierungsscheibe<br>(kunststoff)    | <b>43410</b> | <b>Dimensions • Baumaße</b> |          |          |          |          |          |          |          |          |               |           |
|   |              | <b>DN</b>                   | <b>A</b> | <b>B</b> | <b>C</b> | <b>D</b> | <b>F</b> | <b>F</b> | <b>R</b> | <b>L</b> | <b>Rd x s</b> | <b>kg</b> |
|  |              | 25 - 65                     | 20,4     | 175      | 35       |          |          |          |          |          |               |           |
|   |              | 80 - 100                    | 32,4     | 175      | 35       |          |          |          |          |          |               |           |
|   |              |                             |          |          |          |          |          |          |          |          |               |           |

|   |              |                             |          |          |          |          |          |          |          |          |               |           |
|---|--------------|-----------------------------|----------|----------|----------|----------|----------|----------|----------|----------|---------------|-----------|
| Handle for butterfly valve with holding plate<br>Zuggriff für Scheibenventile mit Halterung | <b>43420</b> | <b>Dimensions • Baumaße</b> |          |          |          |          |          |          |          |          |               |           |
|   |              | <b>DN</b>                   | <b>A</b> | <b>B</b> | <b>C</b> | <b>D</b> | <b>E</b> | <b>G</b> | <b>R</b> | <b>L</b> | <b>Rd x s</b> | <b>kg</b> |
|          |              | 25 - 32                     |          |          |          |          |          |          |          |          |               |           |
|   |              | 40 - 65                     |          |          |          |          |          |          |          |          |               |           |
|   |              | 80 - 100                    |          |          |          |          |          |          |          |          |               |           |
|   |              |                             |          |          |          |          |          |          |          |          |               |           |

Bracket - handle - proximity switch  
Halteblech für Näherungsinitiator

**4342A**

**Dimensions • Baumaße**

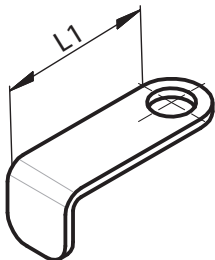


| DN     | D1 | B | D | E | F | F | R | L | Rd x s | kg |
|--------|----|---|---|---|---|---|---|---|--------|----|
| 25-65  | 12 |   |   |   |   |   |   |   |        |    |
| 80-100 | 12 |   |   |   |   |   |   |   |        |    |
|        |    |   |   |   |   |   |   |   |        |    |
|        |    |   |   |   |   |   |   |   |        |    |
|        |    |   |   |   |   |   |   |   |        |    |
|        |    |   |   |   |   |   |   |   |        |    |
|        |    |   |   |   |   |   |   |   |        |    |
|        |    |   |   |   |   |   |   |   |        |    |
|        |    |   |   |   |   |   |   |   |        |    |
|        |    |   |   |   |   |   |   |   |        |    |
|        |    |   |   |   |   |   |   |   |        |    |
|        |    |   |   |   |   |   |   |   |        |    |
|        |    |   |   |   |   |   |   |   |        |    |
|        |    |   |   |   |   |   |   |   |        |    |
|        |    |   |   |   |   |   |   |   |        |    |

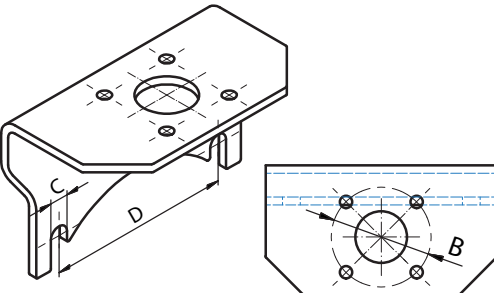
Holding plate - handle - proximity switch  
Kontaktblech für Näherungsinitiator

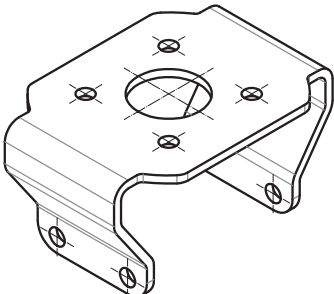
**4342B**

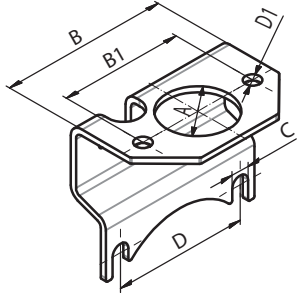
**Dimensions • Baumaße**

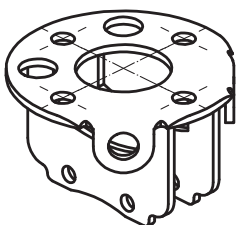


| DN     | L1   | B | D | E | F | G | R | L | Rd x s | kg |
|--------|------|---|---|---|---|---|---|---|--------|----|
| 25-100 | 42,5 |   |   |   |   |   |   |   |        |    |
|        |      |   |   |   |   |   |   |   |        |    |
|        |      |   |   |   |   |   |   |   |        |    |
|        |      |   |   |   |   |   |   |   |        |    |
|        |      |   |   |   |   |   |   |   |        |    |
|        |      |   |   |   |   |   |   |   |        |    |
|        |      |   |   |   |   |   |   |   |        |    |
|        |      |   |   |   |   |   |   |   |        |    |
|        |      |   |   |   |   |   |   |   |        |    |
|        |      |   |   |   |   |   |   |   |        |    |
|        |      |   |   |   |   |   |   |   |        |    |
|        |      |   |   |   |   |   |   |   |        |    |
|        |      |   |   |   |   |   |   |   |        |    |
|        |      |   |   |   |   |   |   |   |        |    |
|        |      |   |   |   |   |   |   |   |        |    |
|        |      |   |   |   |   |   |   |   |        |    |
|        |      |   |   |   |   |   |   |   |        |    |

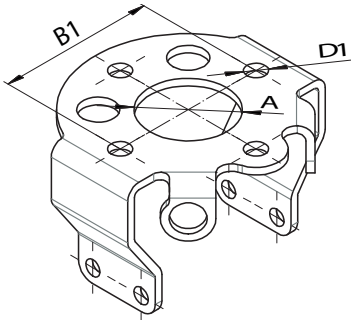
|   |              |                             |           |          |          |  |  |  |          |               |           |
|---|--------------|-----------------------------|-----------|----------|----------|--|--|--|----------|---------------|-----------|
| Bracket of pneumatic actuator<br>Haltekonsole universal                           | <b>43900</b> | <b>Dimensions • Baumaße</b> |           |          |          |  |  |  |          |               |           |
|   |              | <b>DN</b>                   | <b>B</b>  | <b>C</b> | <b>D</b> |  |  |  | <b>R</b> | <b>Rd x s</b> | <b>kg</b> |
|  |              | <b>15</b>                   | F04       | 7        | 47       |  |  |  |          |               |           |
|   |              | <b>20</b>                   | F04       | 7        | 47       |  |  |  |          |               |           |
|   |              | <b>25</b>                   | F03 / F04 | 9        | 51,6     |  |  |  |          |               |           |
|   |              | <b>25</b>                   | F04 / F05 | 9        | 51,6     |  |  |  |          |               |           |
|   |              | <b>32</b>                   | F03 / F04 | 9        | 55,2     |  |  |  |          |               |           |
|   |              | <b>32</b>                   | F04 / F05 | 9        | 55,2     |  |  |  |          |               |           |
|   |              | <b>40</b>                   | F04 / F05 | 9        | 58,4     |  |  |  |          |               |           |
|   |              | <b>50</b>                   | F05       | 9        | 67,6     |  |  |  |          |               |           |
|   |              | <b>65</b>                   | F05       | 9        | 79,6     |  |  |  |          |               |           |
|   |              | <b>80</b>                   | F05       | 9        | 90,2     |  |  |  |          |               |           |
|   |              | <b>100</b>                  | F05       | 9        | 104,3    |  |  |  |          |               |           |
|   |              | <b>125</b>                  | F07       | 9        | 90       |  |  |  |          |               |           |
|   |              | <b>150</b>                  | F07       | 9        | 105      |  |  |  |          |               |           |

|  |              |                             |           |          |          |          |          |          |          |          |               |
|--|--------------|-----------------------------|-----------|----------|----------|----------|----------|----------|----------|----------|---------------|
| Bracket of pneumatic acuator for 43081<br>Haltekonsole für 43081                   | <b>43906</b> | <b>Dimensions • Baumaße</b> |           |          |          |          |          |          |          |          |               |
|  |              | <b>DN</b>                   | <b>A</b>  | <b>B</b> | <b>C</b> | <b>D</b> | <b>E</b> | <b>G</b> | <b>R</b> | <b>L</b> | <b>Rd x s</b> |
|  |              | <b>25-32</b>                | F05       |          |          |          |          |          |          |          |               |
|  |              | <b>40</b>                   | F05       |          |          |          |          |          |          |          |               |
|  |              | <b>50-65</b>                | F05       |          |          |          |          |          |          |          |               |
|  |              | <b>80-100</b>               | F05 / F07 |          |          |          |          |          |          |          |               |
|  |              |                             |           |          |          |          |          |          |          |          |               |

|   |              |                             |          |          |           |          |          |           |          |          |               |
|---|--------------|-----------------------------|----------|----------|-----------|----------|----------|-----------|----------|----------|---------------|
| Bracket of pneumatic actuator Type D<br>Haltekonsole universal Typ D                | <b>43910</b> | <b>Dimensions • Baumaße</b> |          |          |           |          |          |           |          |          |               |
|   |              | <b>DN</b>                   | <b>A</b> | <b>B</b> | <b>B1</b> | <b>C</b> | <b>D</b> | <b>D1</b> | <b>R</b> | <b>L</b> | <b>Rd x s</b> |
|  |              | <b>25</b>                   | 35       | 78       | 62        | 9        | 51,6     | 8,2       |          |          |               |
|   |              | <b>32</b>                   | 35       | 82       | 62        | 9        | 55,2     | 8,2       |          |          |               |
|   |              | <b>40</b>                   | 35       | 86       | 62        | 9        | 58,4     | 8,2       |          |          |               |
|   |              | <b>50</b>                   | 35       | 84       | 62        | 9        | 67,6     | 8,2       |          |          |               |
|   |              | <b>65</b>                   | 35       | 106      | 62        | 9        | 79,6     | 8,2       |          |          |               |
|   |              | <b>80</b>                   | 35       | 116      | 62        | 9        | 90,2     | 8,2       |          |          |               |
|   |              | <b>100</b>                  | 35       | 131      | 62        | 9        | 104,3    | 8,2       |          |          |               |
|   |              | <b>125</b>                  | 36       | 120      | 62        | 11       | 90       | 8,2       |          |          |               |
|   |              | <b>150</b>                  | 36       | 135      | 62        | 11       | 105      | 8,2       |          |          |               |
|   |              |                             |          |          |           |          |          |           |          |          |               |

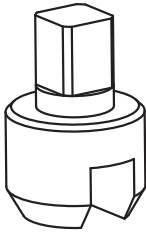
|   |              |                             |          |          |          |          |          |          |          |          |               |
|---|--------------|-----------------------------|----------|----------|----------|----------|----------|----------|----------|----------|---------------|
| Bracket of pneumatic actuator Type C<br>Haltekonsole universal Typ C                | <b>43920</b> | <b>Dimensions • Baumaße</b> |          |          |          |          |          |          |          |          |               |
|   |              | <b>DN</b>                   | <b>A</b> | <b>B</b> | <b>C</b> | <b>D</b> | <b>E</b> | <b>G</b> | <b>R</b> | <b>L</b> | <b>Rd x s</b> |
|  |              | <b>25 - 65</b>              |          |          |          |          |          |          |          |          |               |
|   |              | <b>80 - 100</b>             |          |          |          |          |          |          |          |          |               |

Bracket of pneumatic act. C for 43081  
Haltekonsole C für 43081

**43926 Dimensions • Baumaße**


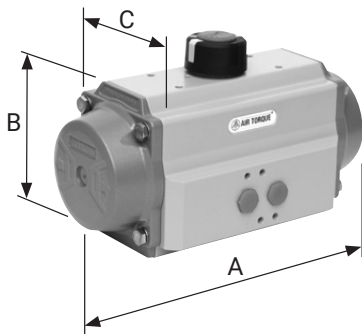
| DN       | A | B1 | D1 | D | E | G | R | L | Rd x s | kg |
|----------|---|----|----|---|---|---|---|---|--------|----|
| 25-32    |   |    |    |   |   |   |   |   |        |    |
| 40       |   |    |    |   |   |   |   |   |        |    |
| 50-65    |   |    |    |   |   |   |   |   |        |    |
| 80 - 100 |   |    |    |   |   |   |   |   |        |    |

Driver for AT (S - R, D - A)  
Träger für AT (S - R, D - A)

**43940 Dimensions • Baumaße**


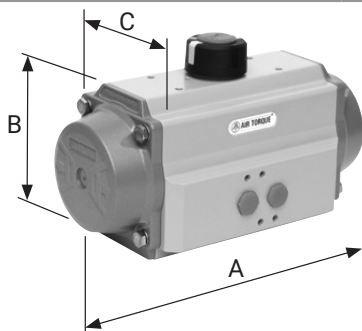
| DN    | A | B | C | D | E | G | R | L | Rd x s | kg |
|-------|---|---|---|---|---|---|---|---|--------|----|
| 9x9   |   |   |   |   |   |   |   |   |        |    |
| 11x11 |   |   |   |   |   |   |   |   |        |    |
| 14x14 |   |   |   |   |   |   |   |   |        |    |
| 17x17 |   |   |   |   |   |   |   |   |        |    |
| 22x22 |   |   |   |   |   |   |   |   |        |    |

Pneumatic actuator spring return S-R  
Pneumatischer Antrieb L-F

**44050 Dimensions • Baumaße** [AIR-5 bar] [SGRING]


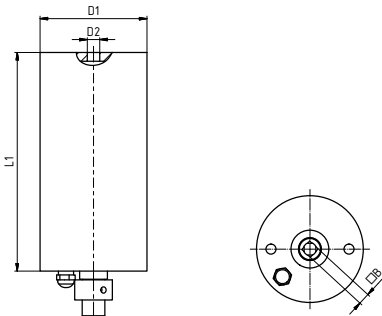
| DN     | A     | B   | C     | Mk       | Mk       | F | R | L | Rd x s | kg |
|--------|-------|-----|-------|----------|----------|---|---|---|--------|----|
| SR 051 | 140,5 | 69  | 70,5  | 6,5 Nm   | 6,0 Nm   |   |   |   |        |    |
| SR 101 | 158,5 | 85  | 83    | 11,2 Nm  | 10,0 Nm  |   |   |   |        |    |
| SR 201 | 210,5 | 102 | 94,5  | 22,7 Nm  | 20,3 Nm  |   |   |   |        |    |
| SR 251 | 247,5 | 115 | 106,3 | 33,3 Nm  | 30,0 Nm  |   |   |   |        |    |
| SR 301 | 268,5 | 127 | 123   | 54,2 Nm  | 48,6 Nm  |   |   |   |        |    |
| SR 401 | 345,0 | 145 | 141   | 117,0 Nm | 102,0 Nm |   |   |   |        |    |

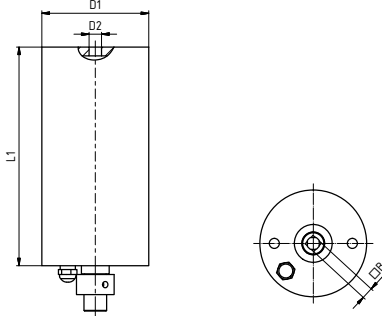
Pneumatic actuator double action D-A  
Pneumatischer Antrieb L-L

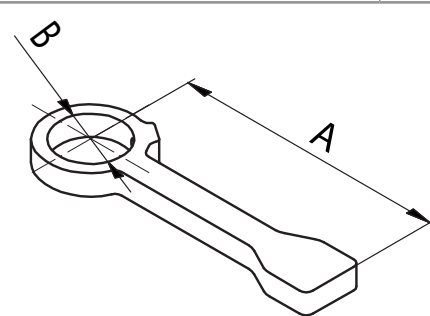
**44100 Dimensions • Baumaße** [AIR-5 bar]


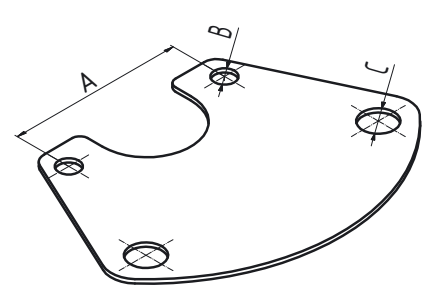
| DN     | A     | B   | C     | Mk       | E | F | R | L | Rd x s | kg |
|--------|-------|-----|-------|----------|---|---|---|---|--------|----|
| DA 051 | 140,5 | 69  | 70,5  | 14,8 Nm  |   |   |   |   |        |    |
| DA 101 | 158,5 | 85  | 83    | 26,4 Nm  |   |   |   |   |        |    |
| DA 201 | 210,5 | 102 | 94,5  | 56,1 Nm  |   |   |   |   |        |    |
| DA 251 | 247,5 | 115 | 106,3 | 85,4 Nm  |   |   |   |   |        |    |
| DA 301 | 268,5 | 127 | 123   | 133,0 Nm |   |   |   |   |        |    |
| DA 401 | 345,0 | 145 | 141   | 288,0 Nm |   |   |   |   |        |    |

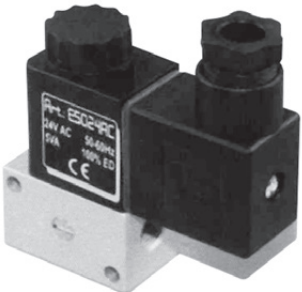


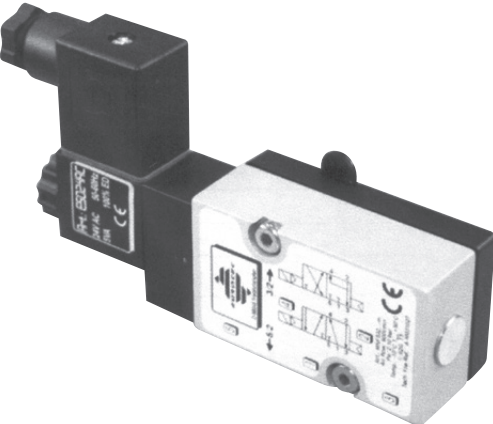
| Pneumatic actuator D-A<br>Pneumatischer Antrieb L-L                               | 44150 | Dimensions • Baumaße              |     |                                 |      |     |    |   |   |    |         |
|---|-------|-----------------------------------|-----|---------------------------------|------|-----|----|---|---|----|---------|
|   |       | TYP                               | A   | B                               | D1   | D2  | L1 | F | R | L  | Mk (Nm) |
|  | 85    |                                   | 9,5 | 85                              | 1/8" | 174 |    |   |   | 30 | 3,5     |
|   | 101   |                                   | 9,5 | 101                             | 1/8" | 185 |    |   |   | 42 | 4,1     |
|   | 120   |                                   | 14  | 120                             | 1/8" | 185 |    |   |   | 70 | 6,5     |
|   |       |                                   |     |                                 |      |     |    |   |   |    |         |
|   |       | Working time (90°): 1,5 sec.      |     | Maximum air pressure: 10 bar.   |      |     |    |   |   |    |         |
|   |       | Working pressure (air): 5 - 6 bar |     | Working temperature: 10 - 140°C |      |     |    |   |   |    |         |

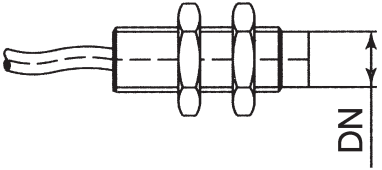
| Pneumatic actuator S-R<br>Pneumatischer Antrieb L-F                                | 44200 | Dimensions • Baumaße              |     |                                 |      |     |    |   |   |    |         |
|--|-------|-----------------------------------|-----|---------------------------------|------|-----|----|---|---|----|---------|
|  |       | TYP                               | A   | B                               | D1   | L2  | L1 | G | R | L  | Mk (Nm) |
|  | 85    |                                   | 9,5 | 85                              | 1/8" | 174 |    |   |   | 30 | 3,8     |
|  | 101   |                                   | 9,5 | 101                             | 1/8" | 185 |    |   |   | 42 | 4,5     |
|  | 120   |                                   | 14  | 120                             | 1/8" | 185 |    |   |   | 70 | 6,5     |
|  |       |                                   |     |                                 |      |     |    |   |   |    |         |
|  |       | Working time (90°): 1,5 sec.      |     | Maximum air pressure: 10 bar.   |      |     |    |   |   |    |         |
|  |       | Working pressure (air): 5 - 6 bar |     | Working temperature: 10 - 140°C |      |     |    |   |   |    |         |

| Signal contact arm<br>Schaltfahne   | 44221  | Dimensions • Baumaße |      |   |   |   |   |   |   |   |        |    |
|---|--------|----------------------|------|---|---|---|---|---|---|---|--------|----|
|   |        | DN                   | A    | B | D | E | F | G | R | L | Rd x s | kg |
|  | 25-100 | 72                   | 18,3 |   |   |   |   |   |   |   |        |    |
|   |        |                      |      |   |   |   |   |   |   |   |        |    |
|   |        |                      |      |   |   |   |   |   |   |   |        |    |
|   |        |                      |      |   |   |   |   |   |   |   |        |    |

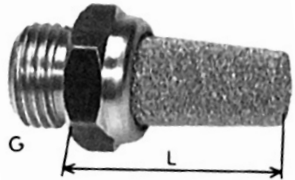
| Holding device<br>Halteblech für Näherungsinitiator                                 | 44231   | Dimensions • Baumaße |   |      |   |   |   |   |   |   |        |    |
|---|---------|----------------------|---|------|---|---|---|---|---|---|--------|----|
|   |         | DN                   | A | B    | C | D | E | F | R | L | Rd x s | kg |
|  | 25-100  | 62                   | 8 | 12,5 |   |   |   |   |   |   |        |    |
|   | 100-150 | 62                   | 8 | 12,5 |   |   |   |   |   |   |        |    |
|   |         |                      |   |      |   |   |   |   |   |   |        |    |
|   |         |                      |   |      |   |   |   |   |   |   |        |    |


|   |   |   |   |          |          |          |          |          |          |          |               |           |
|---|---|---|---|----------|----------|----------|----------|----------|----------|----------|---------------|-----------|
| Solenoid valve directly 3/2<br>Magnetventil direkt                                | <b>44270</b>  | <b>Dimensions • Baumaße</b>   |   |          |          |          |          |          |          |          |               |           |
|   |   | <b>DN</b>   | <b>A</b>  | <b>B</b> | <b>C</b> | <b>D</b> | <b>E</b> | <b>F</b> | <b>R</b> | <b>L</b> | <b>Rd x s</b> | <b>kg</b> |
|  | Anschluss / Air entry<br>Nennweite / Dimension<br>Arbeitsdruck / Air pressure<br>Temperatur / Temperature<br>Schutzart / Enclosure<br>Spannung / Voltage<br>Leistung / Gower consumption<br>Nenndurchfluss / Air flow | G 1/8"<br>1,3 mm<br>0-10 bar<br>-10 °C - +70 °C<br>GI 65 - DIN 40050<br>24V AC 24V DC 230V AC<br>5VA 3W 5VA<br>50 l/min | <b>Description</b><br>- Solenoid valve directly operated with 3/2- ways function<br>- All entries have G 1/8"<br>- Single stable version<br>- Body Aluminium anodised, with minimal external dimensions<br>- Giston Stainless steel AISI 303<br>- Sealings NBR<br>- Screws Stainless steel AISI 304<br><b>Beschreibung</b><br>- Magnetventil direkt gesteuert mit 3/2- Wege Funktion<br>- Alle Anschlüsse haben GI/8"<br>- Federrückstellung<br>- Gehäuse Aluminium eloxiert, mit minimalen Außenabmessungen<br>- Kolben Edelstahl 1.4305<br>- Dichtungen NBR<br>- Schrauben Edelstahl 1.4301 |          |          |          |          |          |          |          |               |           |

|  |   |  |  |          |           |           |           |          |          |          |               |           |
|--|---|--|--|----------|-----------|-----------|-----------|----------|----------|----------|---------------|-----------|
| Solenoid valve<br>Magnetventil   | <b>44300</b>  | <b>Dimensions • Baumaße</b>  |  |          |           |           |           |          |          |          |               |           |
|  |   | <b>DN</b>  | <b>A</b>   | <b>B</b> | <b>D1</b> | <b>D2</b> | <b>L1</b> | <b>F</b> | <b>R</b> | <b>L</b> | <b>Rd x s</b> | <b>kg</b> |
|  | Anschluss / Air entry<br>Nennweite / Dimension<br>Arbeitsdruck / Air pressure<br>Temperatur / Temperature<br>Schutzart / Enclosure<br>Spannung / Voltage<br>Leistung / Gower consumption<br>Nenndurchfluss / Air flow | G 1/4"<br>5,5 mm<br>2-10 bar<br>-10 °C - +50 °C<br>GI 65 - DIN 40050<br>24V AC 24V DC 230V AC<br>5VA 3W 5VA<br>950 l/min | <b>Description</b><br>- Solenoid valve NAMUR with combined 5/2 - and 3/2 - ways function with standard coil and connector<br>- Easy change over from 5/2 - to 3/2 - ways operation by innovative sealing plate<br>- Single stable version<br>- Manual override as standard<br>- Body Aluminium anodised, with minimal external dimensions<br>- NAMUR coupling plate GA 6 - 30 % Glass fibre<br>- Giston Stainless steel AISI 303, Sealings NBR, Screws Stainless steel AISI 304<br><b>Beschreibung</b><br>- Magnetventil NAMUR mit kombinierter 5/2 - und 3/2 - Wege Funktion mit Standardspule und Gerätestecker<br>- Leichtes Umschalten von 5/2 - auf 3/2 - Wege durch innovative Wendedichtung<br>- Luftfederrückstellung<br>- Seriennmäßig mit Notbetätigung<br>- Gehäuse Aluminium eloxiert, mit minimalen Außenabmessungen<br>- NAMUR Adapterplatte GA6 - 30% GF<br>- Kolben Edelstahl 1.4305, Dichtungen NBR, Schrauben Edelstahl 1.4301 |          |           |           |           |          |          |          |               |           |

|   |              |                             |          |          |          |          |          |          |          |               |           |
|---|--------------|-----------------------------|----------|----------|----------|----------|----------|----------|----------|---------------|-----------|
| Proximity switch<br>Näherungsinitiator  | <b>44360</b> | <b>Dimensions • Baumaße</b> |          |          |          |          |          |          |          |               |           |
|   |              | <b>DN</b>                   | <b>A</b> | <b>B</b> | <b>C</b> | <b>D</b> | <b>E</b> | <b>L</b> | <b>R</b> | <b>Rd x s</b> | <b>kg</b> |
|  |              | <b>M8 x 1</b>               |          |          |          |          |          |          |          |               |           |
|   |              | <b>M12 x 1</b>              |          |          |          |          |          |          |          |               |           |
|   |              |                             |          |          |          |          |          |          |          |               |           |
|   |              |                             |          |          |          |          |          |          |          |               |           |
|   |              |                             |          |          |          |          |          |          |          |               |           |
|   |              |                             |          |          |          |          |          |          |          |               |           |
|   |              |                             |          |          |          |          |          |          |          |               |           |
|   |              |                             |          |          |          |          |          |          |          |               |           |
|   |              |                             |          |          |          |          |          |          |          |               |           |
|   |              |                             |          |          |          |          |          |          |          |               |           |

|  |              |                             |          |          |          |          |          |          |          |          |               |
|--|--------------|-----------------------------|----------|----------|----------|----------|----------|----------|----------|----------|---------------|
| Support of proximity switch<br>Halteblech für Näherungsinitiator | <b>44370</b> | <b>Dimensions • Baumaße</b> |          |          |          |          |          |          |          |          |               |
|  |              | <b>DN</b>                   | <b>A</b> | <b>B</b> | <b>D</b> | <b>D</b> | <b>E</b> | <b>G</b> | <b>R</b> | <b>L</b> | <b>Rd x s</b> |
|  |              |                             |          |          |          |          |          |          |          |          |               |
|  |              |                             |          |          |          |          |          |          |          |          |               |
|  |              |                             |          |          |          |          |          |          |          |          |               |
|  |              |                             |          |          |          |          |          |          |          |          |               |
|  |              |                             |          |          |          |          |          |          |          |          |               |
|  |              |                             |          |          |          |          |          |          |          |          |               |
|  |              |                             |          |          |          |          |          |          |          |          |               |
|  |              |                             |          |          |          |          |          |          |          |          |               |
|  |              |                             |          |          |          |          |          |          |          |          |               |

|   |              |                             |               |             |          |          |          |          |          |          |               |           |
|---|--------------|-----------------------------|---------------|-------------|----------|----------|----------|----------|----------|----------|---------------|-----------|
| Noise silencer<br>Schalldämpfer   | <b>44420</b> | <b>Dimensions • Baumaße</b> |               |             |          |          |          |          |          |          |               |           |
|   |              | <b>DN</b>                   | <b>G</b>      | <b>L</b>    | <b>C</b> | <b>D</b> | <b>E</b> | <b>F</b> | <b>R</b> | <b>L</b> | <b>Rd x s</b> | <b>kg</b> |
|  |              | <b>G 1/8</b>                | <b>G 1/8"</b> | <b>21,5</b> |          |          |          |          |          |          |               |           |
|   |              | <b>G 1/4</b>                | <b>G 1/4"</b> | <b>26,5</b> |          |          |          |          |          |          |               |           |
|   |              |                             |               |             |          |          |          |          |          |          |               |           |
|   |              |                             |               |             |          |          |          |          |          |          |               |           |
|   |              |                             |               |             |          |          |          |          |          |          |               |           |
|   |              |                             |               |             |          |          |          |          |          |          |               |           |
|   |              |                             |               |             |          |          |          |          |          |          |               |           |
|   |              |                             |               |             |          |          |          |          |          |          |               |           |
|   |              |                             |               |             |          |          |          |          |          |          |               |           |

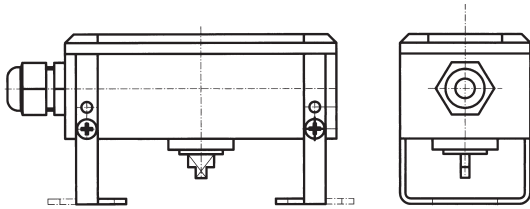
|   |              |                             |               |           |          |          |          |          |          |          |               |           |  |
|---|--------------|-----------------------------|---------------|-----------|----------|----------|----------|----------|----------|----------|---------------|-----------|--|
| Screw union<br>Schraubung   | <b>44430</b> | <b>Dimensions • Baumaße</b> |               |           |          |          |          |          |          |          |               |           |  |
|   |              | <b>DN</b>                   | <b>A</b>      | <b>B</b>  | <b>D</b> | <b>E</b> | <b>F</b> | <b>G</b> | <b>R</b> | <b>L</b> | <b>Rd x s</b> | <b>kg</b> |  |
|  |              | <b>G 1/8 - 4</b>            | <b>G 1/8"</b> | <b>4</b>  |          |          |          |          |          |          |               |           |  |
|   |              | <b>G 1/8 - 6</b>            | <b>G 1/8"</b> | <b>6</b>  |          |          |          |          |          |          |               |           |  |
|   |              | <b>G 1/8 - 8</b>            | <b>G 1/8"</b> | <b>8</b>  |          |          |          |          |          |          |               |           |  |
|   |              | <b>G 1/8 - 10</b>           | <b>G 1/8"</b> | <b>10</b> |          |          |          |          |          |          |               |           |  |
|   |              | <b>G 1/4 - 4</b>            | <b>G 1/4"</b> | <b>4</b>  |          |          |          |          |          |          |               |           |  |
|   |              | <b>G 1/4 - 6</b>            | <b>G 1/4"</b> | <b>6</b>  |          |          |          |          |          |          |               |           |  |
|   |              | <b>G 1/4 - 8</b>            | <b>G 1/4"</b> | <b>8</b>  |          |          |          |          |          |          |               |           |  |
|   |              | <b>G 1/4 - 10</b>           | <b>G 1/4"</b> | <b>10</b> |          |          |          |          |          |          |               |           |  |
|   |              |                             |               |           |          |          |          |          |          |          |               |           |  |
|   |              |                             |               |           |          |          |          |          |          |          |               |           |  |
|   |              |                             |               |           |          |          |          |          |          |          |               |           |  |

Air connect 90°  
 Air connect 90°

**44435**
**Dimensions • Baumaße**

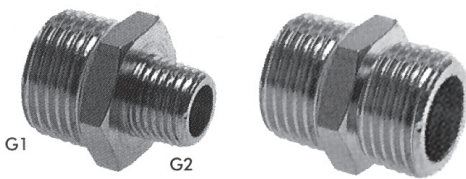

| DN | A    | B   | C | Mk | Mk | F | R | L | Rd x s | kg |
|----|------|-----|---|----|----|---|---|---|--------|----|
|    | G1/8 | D 4 |   |    |    |   |   |   |        |    |
|    | G1/8 | D 6 |   |    |    |   |   |   |        |    |
|    | G1/8 | D 8 |   |    |    |   |   |   |        |    |
|    | G1/4 | D 4 |   |    |    |   |   |   |        |    |
|    | G1/4 | D 6 |   |    |    |   |   |   |        |    |
|    | G1/4 | D 8 |   |    |    |   |   |   |        |    |

 Inductive proximity switches  
 Induktive Näherungsschalter

**44450**
**Dimensions • Baumaße**


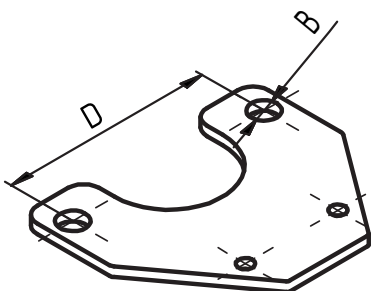
| DN | A | B | C | Mk | E | F | R | L | Rd x s | kg |
|----|---|---|---|----|---|---|---|---|--------|----|
|    |   |   |   |    |   |   |   |   |        |    |
|    |   |   |   |    |   |   |   |   |        |    |
|    |   |   |   |    |   |   |   |   |        |    |
|    |   |   |   |    |   |   |   |   |        |    |
|    |   |   |   |    |   |   |   |   |        |    |
|    |   |   |   |    |   |   |   |   |        |    |
|    |   |   |   |    |   |   |   |   |        |    |
|    |   |   |   |    |   |   |   |   |        |    |
|    |   |   |   |    |   |   |   |   |        |    |
|    |   |   |   |    |   |   |   |   |        |    |
|    |   |   |   |    |   |   |   |   |        |    |
|    |   |   |   |    |   |   |   |   |        |    |
|    |   |   |   |    |   |   |   |   |        |    |
|    |   |   |   |    |   |   |   |   |        |    |
|    |   |   |   |    |   |   |   |   |        |    |
|    |   |   |   |    |   |   |   |   |        |    |
|    |   |   |   |    |   |   |   |   |        |    |
|    |   |   |   |    |   |   |   |   |        |    |
|    |   |   |   |    |   |   |   |   |        |    |
|    |   |   |   |    |   |   |   |   |        |    |
|    |   |   |   |    |   |   |   |   |        |    |
|    |   |   |   |    |   |   |   |   |        |    |
|    |   |   |   |    |   |   |   |   |        |    |

 External nipple  
 Externer nipple

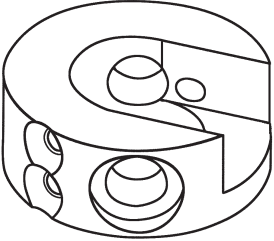


**44500**
**Dimensions • Baumaße**


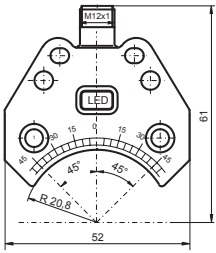

| DN        | G1     | G2     | C | D | E | F | R | L | Rd x s | kg |
|-----------|--------|--------|---|---|---|---|---|---|--------|----|
| 1/4 - 1/4 | G 1/4" | G 1/4" |   |   |   |   |   |   |        |    |
| 1/4 - 1/8 | G 1/4" | G 1/8" |   |   |   |   |   |   |        |    |
| 1/8 - 1/8 | G 1/8" | G 1/8" |   |   |   |   |   |   |        |    |
| 3/8 - 3/8 | G 3/8" | G 3/8" |   |   |   |   |   |   |        |    |


 Support of lower sensor  
 Halteblech für Doppel-Näherungsinitiator


**44511**
**Dimensions • Baumaße**



| DN       | A | B   | C | D  | F | G | R | L | Rd x s | kg |
|----------|---|-----|---|----|---|---|---|---|--------|----|
| 25 - 100 |   | 8,2 |   | 62 |   |   |   |   |        |    |


|   |              |                             |          |           |  |           |          |          |          |          |               |           |
|---|--------------|-----------------------------|----------|-----------|--|-----------|----------|----------|----------|----------|---------------|-----------|
| Switch cams supported<br>Schaltnocke  | <b>44521</b> | <b>Dimensions • Baumaße</b> |          |           |  |           |          |          |          |          |               |           |
|   |              | <b>DN</b>                   | <b>A</b> | <b>B</b>  | <b>C</b>   | <b>E</b>  | <b>F</b> | <b>G</b> | <b>R</b> | <b>L</b> | <b>Rd x s</b> | <b>kg</b> |
|  |              |                             |          | 44521 - A |  | for 44530 |          |          |          |          |               |           |
|   |              |                             |          | 44521 - B |  | for 44360 |          |          |          |          |               |           |

|   |              |   |          |          |          |          |          |  |          |          |               |           |  |
|---|--------------|---|----------|----------|----------|----------|----------|--|----------|----------|---------------|-----------|--|
| Dual sensor<br>Doppel-Näherungsinitiator  | <b>44530</b> | <b>Dimensions • Baumaße</b>   |          |          |          |          |          |  |          |          |               |           |  |
|   |              | <b>DN</b>   | <b>A</b> | <b>B</b> | <b>C</b> | <b>E</b> | <b>F</b> | <b>G</b>   | <b>R</b> | <b>L</b> | <b>Rd x s</b> | <b>kg</b> |  |
|   |              | <b>General specifications</b><br>Switching element function <b>PNG Dual NO</b><br>Rated operating distance <b>sn 3 mm</b><br>Installation <b>flush mountable</b><br>Output polarity <b>DC</b><br>Assured operating distance <b>sa 0 - 2,43 mm</b>                             |          |          |          |          |          | Operating current <b>IL 0 - 200 mA</b><br>Off-state current <b>Ir 0 - 0,5 mA</b><br><b>typ. 0,1 µA at 25 °C</b><br>No-load supply current <b>IO ≤ 25 mA</b><br>Operating voltage display <b>LED, green</b><br>Indication of the switching state <b>LED, yellow</b> |          |          |               |           |  |
|   |              | <b>Nominal ratings</b><br>Operating voltage <b>UB 10 - 30 V DC</b><br>Switching frequency <b>f 0 - 500 Hz</b><br>Hysteresis <b>H typ. 5 %</b><br>Reverse polarity protected <b>all connections</b><br>Short-circuit protection <b>pulsing</b><br>Voltage drop <b>Ud ≤ 3 V</b> |          |          |          |          |          | <b>Ambient conditions</b><br>Ambient temperature <b>-25 ... 70 °C (-13 ... 158 °F)</b><br>Storage temperature <b>-40 ... 85 °C (-40 ... 185 °F)</b>  |          |          |               |           |  |

|   |   |   |          |          |          |          |          |          |          |          |               |           |
|---|---|---|----------|----------|----------|----------|----------|----------|----------|----------|---------------|-----------|
| Cable conector 90°<br>Konnektor 90°   | <b>44540</b>  | <b>Dimensions • Baumaße</b>   |          |          |          |          |          |          |          |          |               |           |
|   |   | <b>DN</b>   | <b>A</b> | <b>B</b> | <b>C</b> | <b>E</b> | <b>F</b> | <b>G</b> | <b>R</b> | <b>L</b> | <b>Rd x s</b> | <b>kg</b> |
|  |   | <b>General specification</b><br>Number of poles <b>4</b><br>Construction type <b>Socket, angled</b>   |          |          |          |          |          |          |          |          |               |           |
|   |   | <b>Electrical specification</b><br>Operating voltage <b>max. 60 V DC</b><br>Operating current <b>max. 4 A</b><br>Volume resistance <b>&lt; 5 mohm</b> |          |          |          |          |          |          |          |          |               |           |
|   | <b>Ambient conditions</b><br>Ambient temperature <b>-5 ... 70°C (268 ... 343 K) active</b><br><b>-30 ... 80°C (243 ... 353 K) unmoved</b><br>Degree of soiling <b>3</b> |   |          |          |          |          |          |          |          |          |               |           |

|   |   |  |          |          |          |          |          |          |          |          |               |           |
|---|---|--|----------|----------|----------|----------|----------|----------|----------|----------|---------------|-----------|
| Cable conector<br>Konnektor   | <b>44541</b>  | <b>Dimensions • Baumaße</b>  |          |          |          |          |          |          |          |          |               |           |
|   |   | <b>DN</b>  | <b>A</b> | <b>B</b> | <b>C</b> | <b>D</b> | <b>E</b> | <b>F</b> | <b>R</b> | <b>L</b> | <b>Rd x s</b> | <b>kg</b> |
|  |   | <b>General specifications</b><br>Number of pins <b>4</b><br>Connection 1 <b>female connector</b><br>Construction type 1 <b>straight</b><br>Threading 1 <b>M12</b><br>Connection 2 <b>cable end</b> |          |          |          |          |          |          |          |          |               |           |
|   |   | <b>Electrical specifications</b><br>Operating voltage <b>U<sub>B</sub> max. 250 V AC/DC</b><br>Operating current <b>max. 4 A</b><br>Volume resistance <b>&lt; 5 mΩ</b>                             |          |          |          |          |          |          |          |          |               |           |
|   | <b>Ambient conditions</b><br>Ambient temperature Body: <b>-40 ... 90 °C</b><br>cable, fixed: <b>-40 ... 80 °C</b><br>cable, flexing: <b>-25 ... 80 °C</b> |  |          |          |          |          |          |          |          |          |               |           |
|   | Gollution Degree <b>3</b>   |  |          |          |          |          |          |          |          |          |               |           |

|   |              |                             |                      |                   |                      |                          |               |                            |                             |                                |                 |
|---|--------------|-----------------------------|----------------------|-------------------|----------------------|--------------------------|---------------|----------------------------|-----------------------------|--------------------------------|-----------------|
| Electric drive<br>Elektroantrieb  | <b>44590</b> | <b>Dimensions • Baumaße</b> |                      |                   |                      |                          |               |                            |                             |                                |                 |
|   |              | <b>DN</b>                   | <b>A</b>             | <b>B</b>          | <b>C</b>             | <b>D</b>                 | <b>E</b>      | <b>F</b>                   | <b>R</b>                    | <b>L</b>                       | <b>Rd x s</b>   |
|  |              | <b>Type</b>                 | <b>Max Torque Nm</b> | <b>Flange ISO</b> | <b>Switch On-Off</b> | <b>Switch Positioner</b> | <b>24V DC</b> | <b>Operating Time, 90°</b> | <b>85-240VAC 50 - 60 HZ</b> | <b>1x220-23 VAC 50 - 60 HZ</b> | <b>Power kW</b> |
|   |              | AQ3L                        | 30                   | F03/F04/F05       | ✓                    | ✓                        | ✓             | 15                         | ✓                           | ×                              | 0,02            |
|   |              | AQ7L                        | 70                   | F05/F07           | ✓                    | ✓                        | ✓             | 15                         | ✓                           | ×                              | 0,02            |
|   |              | AQ15                        | 150                  | F05/F07           | ✓                    | ✓                        | ✓             | 30 / 25                    | ×                           | ✓                              | 0,03            |

|   |  |   |          |          |          |          |          |          |          |          |               |           |
|---|--|---|----------|----------|----------|----------|----------|----------|----------|----------|---------------|-----------|
| Control box<br>Steuerkopf   | <b>44710-C3</b>                                    | <b>Dimensions • Baumaße</b>   |          |          |          |          |          |          |          |          |               |           |
|   |  | <b>DN</b>   | <b>A</b> | <b>B</b> | <b>C</b> | <b>D</b> | <b>E</b> | <b>F</b> | <b>R</b> | <b>L</b> | <b>Rd x s</b> | <b>kg</b> |
|  |  | <b>TYPES: 44710 C3A EKO - air manifold GOM + 2x micro switch, LED</b><br><b>44710 C3B STANDARD - air manifold GOM + 2x proximity sensor, LED</b><br><b>44710 C3C MAX - air manifold 1.4301 + 2x proximity sensor, LED</b> |          |          |          |          |          |          |          |          |               |           |
|   |  | <b>POSITION SENSING: micro switch: 12 - 30 V</b><br><b>proximity sensor: 12 - 30 V</b>  |          |          |          |          |          |          |          |          |               |           |
|   |  | <b>SOLENOID VALVE: 24 V DC</b>  |          |          |          |          |          |          |          |          |               |           |
|   |  | <b>LED LIGHTING: 3W (red and green)</b>   |          |          |          |          |          |          |          |          |               |           |
|   | <b>AIR CONNECTION: for compressed air hose 6/4</b> |   |          |          |          |          |          |          |          |          |               |           |
|   | <b>TEMPERATURE OF ENVIRONMENT: -15°C to +60°C</b>  |   |          |          |          |          |          |          |          |          |               |           |

|  |  |                             |  |                                   |          |          |          |          |          |          |               |           |  |
|--|--|-----------------------------|--|-----------------------------------|----------|----------|----------|----------|----------|----------|---------------|-----------|--|
| Digital electropneumatic positioner<br>Elektropneumatischer Stellungsregler  | <b>44801</b>   | <b>Dimensions • Baumaße</b> |  |                                   |          |          |          |          |          |          |               |           |  |
|  |  | <b>DN</b>                   | <b>A</b>   | <b>B</b>                          | <b>C</b> | <b>E</b> | <b>F</b> | <b>F</b> | <b>R</b> | <b>L</b> | <b>Rd x s</b> | <b>kg</b> |  |
| <p>The compact positioner Type 8692 is optimized for integrated mounting on the pneumatic actuators in the process valve series Type 23xx/2103 and is specially designed for the requirements of a hygienic process environment. The control air channel is integrated in the actuator without external tubings. The easy handling and the selection of additional software functions are done either on a big graphic display with backlight and keypad or over COMMUNICATOR.</p> <p>The positioner registers the valve position without deterioration through a contact-free, analog position sensor. The control of single or double-acting actuators is done without internal air consumption. With integrated diagnostic functions operation conditions of the control valve can be monitored. Through status signals, valve diagnostic messages are transmitted according to NAMUR NE107 and recorded as history entries.</p> <p>The housing is easy to clean and features proven IP protection and chemically resistant materials for use in hygienic processing, in food, beverage and pharmaceutical industries. Combined with Bürkert ELEMENT actuators the unique pilot valve system enables a compressed air recycling that avoids actuator chambers contamination from the environment.</p> |   | <b>Technical data</b>       |  |                                   |          |          |          |          |          |          |               |           |  |
|  |  | <b>Material</b>             | Body   | PPS, stainless steel              |          |          |          |          |          |          |               |           |  |
|  |  |                             | Cover  | PC                                |          |          |          |          |          |          |               |           |  |
|  |  |                             | Sealing  | EPDM                              |          |          |          |          |          |          |               |           |  |
|  |  | <b>Power supply</b>         | 24 V DC ± 10 %<br>UL: NEC Class 2                      |                                   |          |          |          |          |          |          |               |           |  |
|  |  | <b>Residual ripple</b>      | max. 10 %  |                                   |          |          |          |          |          |          |               |           |  |
|  |  | <b>Setpoint setting</b>     | 0/4 to 20 mA and 0 to 5/10 V                           |                                   |          |          |          |          |          |          |               |           |  |
|  |  | <b>Output resistance</b>    | 0/4 to 20 mA: 180 Ω<br>0 to 5/10 V: 19 k Ω             |                                   |          |          |          |          |          |          |               |           |  |
|  |  | <b>Control medium</b>       | neutral gases, air, quality classes acc. to ISO 8573-1 |                                   |          |          |          |          |          |          |               |           |  |
|  |  |                             | Dust concentration                                     | Class 7 (< 40 µm particle size)   |          |          |          |          |          |          |               |           |  |
|  |  |                             | Particle density                                       | Class 5 (< 10 mg/m <sup>3</sup> ) |          |          |          |          |          |          |               |           |  |
|  |  |                             | Pressure condensation point                            | Class 3 (< -20 °C)                |          |          |          |          |          |          |               |           |  |
|  |  |                             | Oil concentration                                      | Class X (< 25 mg/m <sup>3</sup> ) |          |          |          |          |          |          |               |           |  |
|  |  | <b>Ambient temperature</b>  | - 10 to + 55 °C  |                                   |          |          |          |          |          |          |               |           |  |
| <b>Pilot air ports</b>   | Threaded ports G <sup>1</sup> / <sub>8</sub> stainless steel or  |                             |  |                                   |          |          |          |          |          |          |               |           |  |
| <b>Supply pressure</b>   | Low air flow rate 0 to 7 bar <sup>1)</sup><br>High air flow rate 3 to 7 bar  |                             |  |                                   |          |          |          |          |          |          |               |           |  |
| <b>Air input filter</b>  | Exchangeable (mesh aperture~0.1 mm)  |                             |  |                                   |          |          |          |          |          |          |               |           |  |
| <b>Actuator system</b>   | Actuator series Type 23xx<br>Low air flow rate : Ø Actuator 70/90 mm<br>High air flow rate: Ø Actuator 130 mm<br>High air flow rate: Ø Actuator 175/225 mm |                             |  |                                   |          |          |          |          |          |          |               |           |  |
|  | Actuator series Type 27xx  |                             |  |                                   |          |          |          |          |          |          |               |           |  |
| <b>Position detection module</b>   | Contact-free, wear-free  |                             |  |                                   |          |          |          |          |          |          |               |           |  |
| <b>Stroke range valve spindle</b>  | 3 to 45 mm   |                             |  |                                   |          |          |          |          |          |          |               |           |  |
| <b>Installation</b>  | as required, preferably with actuator in upright position  |                             |  |                                   |          |          |          |          |          |          |               |           |  |
| <b>Protection type</b>   | IP65/IP67 acc. to EN 60529, Type 4X acc. to NEMA 250 standard  |                             |  |                                   |          |          |          |          |          |          |               |           |  |
| <b>Protection class</b>  | 3 acc. to DIN EN 61140   |                             |  |                                   |          |          |          |          |          |          |               |           |  |
| <b>Power consumption</b>   | < 5 W  |                             |  |                                   |          |          |          |          |          |          |               |           |  |
| <b>Electrical connection</b>   | Multipole connection<br>M12, 8-pins or 4-pins<br>2xM16 x 1.5 (cable-Ø 5-10 mm) with connection terminals for cable cross-sections 0.14-1.5 mm <sup>2</sup> |                             |  |                                   |          |          |          |          |          |          |               |           |  |
| <b>Bus communication</b>   | PROFIBUS DP-V1, DeviceNet, EtherNet/IP, PROFINET, Modbus TCP, bÜS - Bürkert System Bus (based on CANopen)  |                             |  |                                   |          |          |          |          |          |          |               |           |  |



Digital electropneumatic positioner  
Elektropneumatischer Stellungsregler

### 44804 Dimensions • Baumaße



The robust and compact positioner is designed to standardisation acc. to IEC 534-6 or VDI/VDE 3845 for assembly with linear and rotary actuators. In addition, the remote version with the displacement position sensor can be combined with Bürkert process control valves. The digital electropneumatic positioner SideControl can be operated with the usual current and voltage standard signals and can also be equipped with the fieldbus interface GROBUS DGV1. Additionally to the digital graphic display the valve opening is signaled by a mechanical indicator element.

Operation occurs via the external operation and display module. It consists of a backlit graphical display and a robust transparency keyboard with four keys with software driven function indication. For the user operation is very simple and clear, identical to the Bürkert positioner or process controller TopControl, Type 8692/8693.

The pilot valve system can be used equally for single and doubleacting drives. It is characterised by a defined safety feature in case of failure of the electrical or pneumatic power supply and possesses an enormous air capacity range with pressure supply up to 7 bar.

| DN | A | B | C | E | F | F | R | L | Rd x s | kg |
|----|---|---|---|---|---|---|---|---|--------|----|
|----|---|---|---|---|---|---|---|---|--------|----|

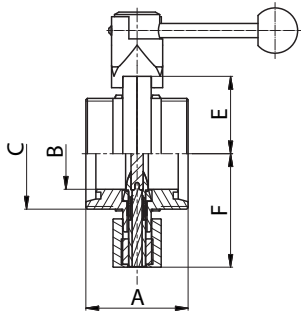
|                             |   |
|-----------------------------|---|
| Material                    | Aluminium plastic-coated  |
| Body Seal                   | EGDM, NBR, FKM  |
| Operating voltages          | 24 VDC +/- 10%  |
| Residual ripple             | max. 10%  |
| Setpoint setting            | 0/4 to 20 mA and 0 to 5/10 V  |
| Input resistance            | 0/4 to 20 mA: 180 Ω<br>0 to 5/10 mA: 19 kΩ  |
| Analogue feedback           | 4 - 20 mA, 0 - 20 mA<br>0 - 10 V, 0 - 5 V   |
| Binary input                | galvanically isolated, 0 - 5 V = log "0", 10 - 30 V = log "1"   |
| Binary output               | 2 Outputs (optional), galvanically separated  |
| Current limit               | 100 mA, Output will be synchronised when overloaded   |
| Control medium              | Neutral gases, air DIN ISO 8573-1   |
| Dust concentration          | Class 5 (< 40 µm particle size)   |
| Particle density            | Class 5 (< 10 mg/m³)  |
| Grossure condensation point | Class 3 (< -20°C)   |
| Oil concentration           | Class 5 (< 25 mg/m³)  |
| Ambient temperature         | 0 to +6°C   |
| Gilot air ports             | Threaded ports G 1/4  |
| Supply pressure             | 1,4 to 7 bar <sup>1)</sup>  |
| Air supply filter           | Exchangeable (aperture size ~ 0,1 mm)   |
| Actuator system             | single and double-acting to 150 l/min.<br>95 l/min. (with 1,4 bar <sup>2)</sup> ) for aeration and ventilation<br>150 l/min (with 6 bar <sup>2)</sup> ) for aeration and ventilation<br>Q <sub>Nn</sub> = 100 lNp/min (acc. to the definition with decrease in pressure from 7 to 6 bar absolute) |
| Air capacity                |   |
| Position detection module   | Gotentiometer, max. angle 1800  |
| Stroke range valve spindle  | min. 30° on the rotary shaft, depending on lever  |
| Installation                | as required, display above or sideways  |
| Type of protection          | IG 65/67 acc. to EN 60529 (NEMA4x in preparation)   |
| Gower consumption           | < 5 W   |
| Electrical connection       | M12, 8-pin/4-pin; M8, 4-pin   |
| Multipole connection        | 2x M 20 x 1,5 (cable Ø 10 mm) on screw terminals (0,14 - 1,5 mm <sup>2</sup> )  |
| Cable gland                 | 1x M 12 x 1,5 (cable Ø 3 to 6,5 mm)   |
| Remote version              |   |
| Bus communication           | Grofi bus DGV1 (optional)   |
| Inductive proximity switch  | on request  |
| Protection class            | 3 acc. to VDE 0580  |
| Type of ignition protection | II 3 G nA II B T4 (in preparation)<br>II 3 D tD A22 T135° (in preparation)  |
| Conformity                  | EMV2004/108/EG  |
| Approvals                   | CSA (in preparation)  |

- o Compact metal housing
- o Graphic display with backlight
- o Easy start-up
- o Comprehensive range of additional software functions
- o Grofi bus DGV 1 (optional)
- o Assembly acc. to IEC 534-6 / VDI VDE 3845

<sup>1)</sup> The supply pressure has to be 0,5 - 1 bar above the minimum required pilot pressure for the valve actuator  
<sup>2)</sup> Gressure specifications: Overpressure with respect to atmospheric pressure

Leakage butterfly valves G - G  
Leckage Scheibenventil G - G

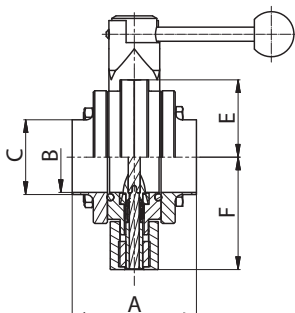
### 45613 Dimensions • Baumaße



| DN             | A   | B   | C        | E    | F   | G | Rd x s | kg |
|----------------|-----|-----|----------|------|-----|---|--------|----|
| <b>DIN 405</b> |     |     |          |      |     |   |        |    |
| 25             | 64  | 26  | 52x1/6"  | 43,5 | 65  |   |        |    |
| 32             | 64  | 32  | 58x1/6"  | 46   | 68  |   |        |    |
| 40             | 72  | 38  | 65x1/6"  | 48,5 | 71  |   |        |    |
| 50             | 72  | 50  | 78x1/6"  | 55   | 80  |   |        |    |
| 65             | 76  | 66  | 95x1/6"  | 63,5 | 89  |   |        |    |
| 80             | 100 | 81  | 110x1/4" | 71   | 99  |   |        |    |
| 100            | 104 | 100 | 130x1/4" | 81   | 109 |   |        |    |

Leakage butterfly valve with compact flange  
Zwischenflansche Leckage Scheibenventil

### 45618 Dimensions • Baumaße



| DN  | A   | B   | C   | E    | F     | G | Rd x s | kg |
|-----|-----|-----|-----|------|-------|---|--------|----|
| 25  | 78  | 26  | 31  | 43,5 | 66    |   |        |    |
| 32  | 78  | 32  | 35  | 46   | 68    |   |        |    |
| 40  | 88  | 38  | 43  | 48,5 | 71    |   |        |    |
| 50  | 88  | 50  | 53  | 55   | 80    |   |        |    |
| 65  | 88  | 66  | 72  | 63,5 | 89    |   |        |    |
| 80  | 120 | 81  | 85  | 71   | 100,5 |   |        |    |
| 100 | 124 | 100 | 104 | 81   | 109   |   |        |    |



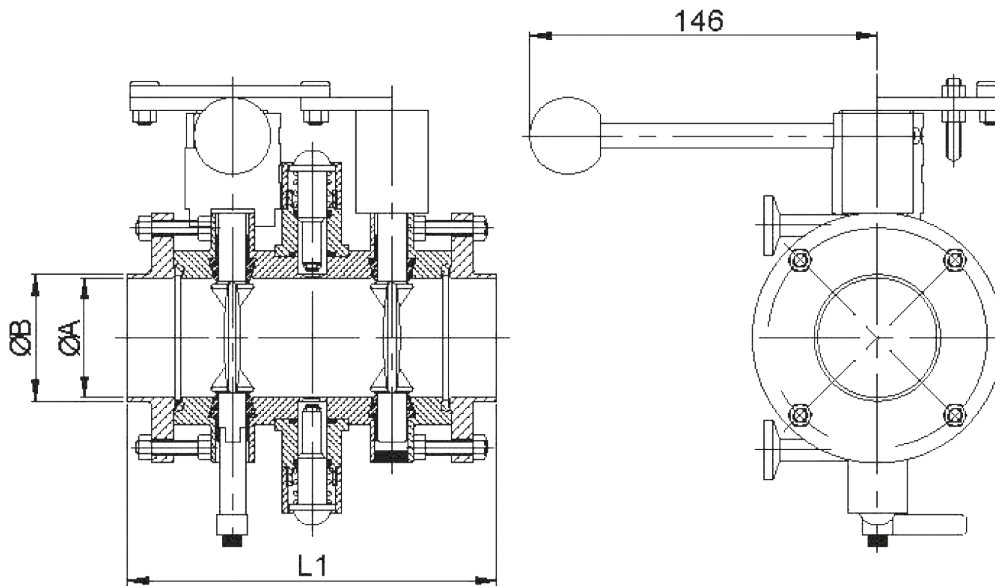
Leakage butterfly valves S - S  
Leckage Scheibenventil S - S

**45628**

**Dimensions • Baumaße**

DIN

| DN  | A   | B | C   | D   |
|-----|-----|---|-----|-----|
| 25  | 122 |   | 26  | 87  |
| 32  | 122 |   | 32  | 92  |
| 40  | 130 |   | 38  | 97  |
| 50  | 130 |   | 50  | 110 |
| 65  | 146 |   | 66  | 127 |
| 80  | 185 |   | 81  | 142 |
| 100 | 209 |   | 100 | 162 |
| 125 |     |   |     |     |
| 150 |     |   |     |     |



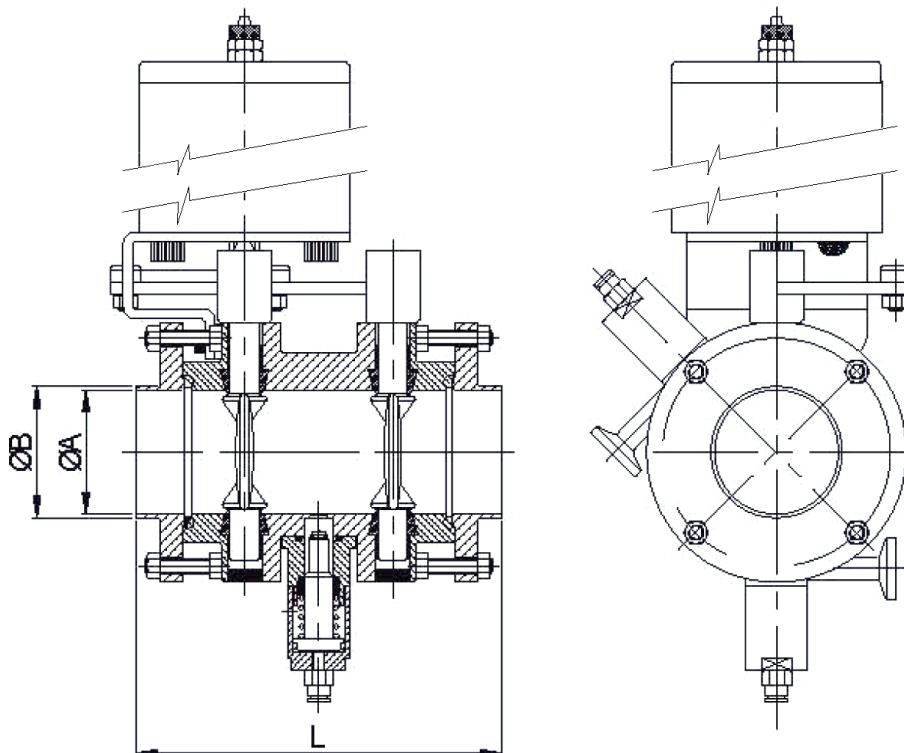
Leakage butterfly valves S - S  
Leckage Scheibenventil S - S

**45628 - P20**

**Dimensions • Baumaße**

DIN

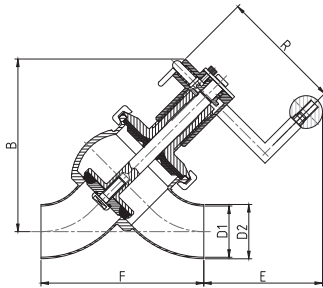
| DN  | A   | B   | C   | D   |
|-----|-----|-----|-----|-----|
| 25  | 148 | 30  | 26  | 87  |
| 32  | 148 | 36  | 32  | 92  |
| 40  | 158 | 42  | 38  | 97  |
| 50  | 158 | 54  | 50  | 110 |
| 65  | 170 | 71  | 66  | 127 |
| 80  | 221 | 86  | 81  | 142 |
| 100 | 221 | 105 | 100 | 162 |
| 125 |     |     |     |     |
| 150 |     |     |     |     |



Inline seat valve S - S, Type - Y  
 Inline - ventil S - S, Typ - Y

**47290**

**Dimensions • Baumaße**

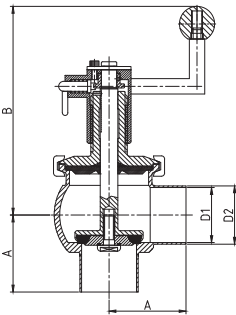


| DN | R   | B   | C | D1 | D2 | E   | F     | L | Rd x s | kg |
|----|-----|-----|---|----|----|-----|-------|---|--------|----|
| 25 | 60  | 124 |   | 26 | 29 | 69  | 111,8 |   |        |    |
| 40 | 120 | 160 |   | 38 | 41 | 117 | 145,4 |   |        |    |
| 50 | 120 | 168 |   | 50 | 53 | 115 | 159,0 |   |        |    |
| 65 | 120 | 198 |   | 66 | 70 | 122 | 187,2 |   |        |    |
| 80 | 120 | 204 |   | 81 | 85 | 113 | 205,9 |   |        |    |

Angle seat valve S - S, Type - L  
 Eckventil S - S, Typ - L

**47300**

**Dimensions • Baumaße**

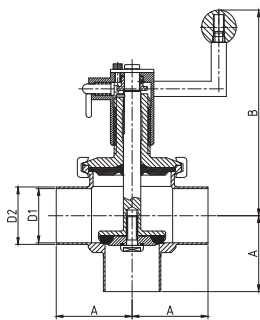


| DN | A  | B   | C | D1 | D2 | F | R | L | Rd x s | kg |
|----|----|-----|---|----|----|---|---|---|--------|----|
| 25 | 50 | 135 |   | 26 | 29 |   |   |   |        |    |
| 40 | 60 | 181 |   | 38 | 41 |   |   |   |        |    |
| 50 | 70 | 189 |   | 50 | 53 |   |   |   |        |    |
| 65 | 80 | 218 |   | 66 | 70 |   |   |   |        |    |
| 80 | 90 | 219 |   | 81 | 85 |   |   |   |        |    |

Double angle seat valve S - S - S, Type - T  
 Doppel eckventil S - S - S, Typ - T

**47310**

**Dimensions • Baumaße**

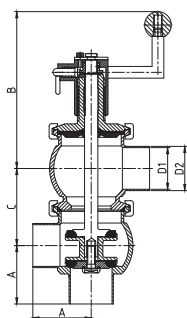


| DN | A  | B   | C | D1 | D2 | G | R | L | Rd x s | kg |
|----|----|-----|---|----|----|---|---|---|--------|----|
| 25 | 50 | 135 |   | 26 | 29 |   |   |   |        |    |
| 40 | 60 | 181 |   | 38 | 41 |   |   |   |        |    |
| 50 | 70 | 189 |   | 50 | 53 |   |   |   |        |    |
| 65 | 80 | 218 |   | 66 | 70 |   |   |   |        |    |
| 80 | 90 | 219 |   | 81 | 85 |   |   |   |        |    |

Change over valve S - S - S, Type - LL  
 Umstellventil S - S - S, Typ - LL

**47320**

**Dimensions • Baumaße**



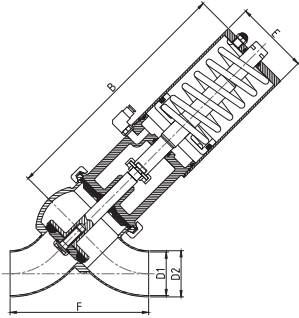
| DN | A  | B   | C     | D1 | D2 | F | R | L | Rd x s | kg |
|----|----|-----|-------|----|----|---|---|---|--------|----|
| 25 | 50 | 119 | 56,6  | 26 | 29 |   |   |   |        |    |
| 40 | 60 | 184 | 80,0  | 38 | 41 |   |   |   |        |    |
| 50 | 70 | 188 | 92,4  | 50 | 53 |   |   |   |        |    |
| 65 | 80 | 221 | 120,0 | 66 | 70 |   |   |   |        |    |
| 80 | 90 | 226 | 128,0 | 81 | 85 |   |   |   |        |    |

Inline seat valve S - S, Type - Y,  
pneumatic  
Inline - ventil S - S, Typ - Y, pneumatisch

**47290-P45**

**Dimensions • Baumaße**

**NC**



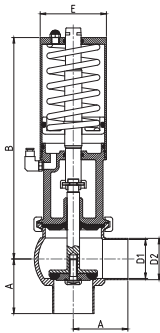
| DN | A | B     | D1 | D2 | E   | F     | L | Rd x s | kg |
|----|---|-------|----|----|-----|-------|---|--------|----|
| 25 |   | 47,0  | 26 | 29 | 60  | 111,8 |   |        |    |
| 40 |   | 277,7 | 38 | 41 | 85  | 145,4 |   |        |    |
| 50 |   | 284,1 | 50 | 53 | 85  | 159,0 |   |        |    |
| 65 |   | 357,8 | 66 | 70 | 133 | 187,2 |   |        |    |
| 85 |   | 360,9 | 81 | 85 | 133 | 205,9 |   |        |    |

Angle seat valve S - S, Type - L, pneumatic  
Eckventil S - S, Typ - L, pneumatisch

**47300-P45**

**Dimensions • Baumaße**

**NC**



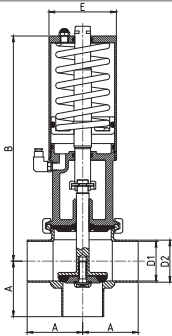
| DN | A  | B     | C | D1 | D2 | E   | L | Rd x s | kg |
|----|----|-------|---|----|----|-----|---|--------|----|
| 25 | 50 | 147,0 |   | 26 | 29 | 60  |   |        |    |
| 40 | 60 | 277,7 |   | 38 | 41 | 85  |   |        |    |
| 50 | 70 | 284,1 |   | 50 | 53 | 85  |   |        |    |
| 65 | 80 | 357,8 |   | 66 | 70 | 133 |   |        |    |
| 85 | 90 | 360,9 |   | 81 | 85 | 133 |   |        |    |

Double angle seat valve S - S - S, Type - T,  
pneumatic  
Doppel eckventil S - S - S, Typ - T,  
pneumatisch

**47310-P45**

**Dimensions • Baumaße**

**NC**



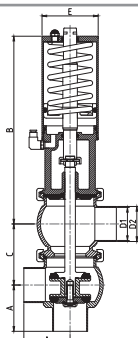
| DN | A  | B     | C | D1 | D2 | E   | L | Rd x s | kg |
|----|----|-------|---|----|----|-----|---|--------|----|
| 25 | 50 | 147,0 |   | 26 | 29 | 60  |   |        |    |
| 40 | 60 | 277,7 |   | 38 | 41 | 85  |   |        |    |
| 50 | 70 | 284,1 |   | 50 | 53 | 85  |   |        |    |
| 65 | 80 | 357,8 |   | 66 | 70 | 133 |   |        |    |
| 85 | 90 | 360,9 |   | 81 | 85 | 133 |   |        |    |

Change over valve S - S - S, Type - LL,  
pneumatic  
Umstellventil S - S - S, Typ - LL,  
pneumatisch

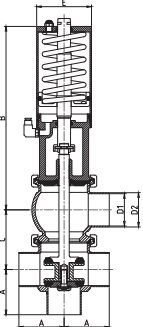
**47320-P45**

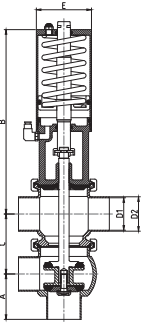
**Dimensions • Baumaße**

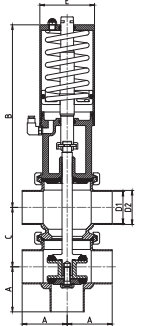
**NC**

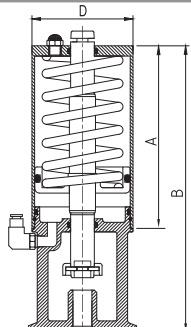


| DN | A  | B     | C     | D  | E  | R   | L | Rd x s | kg |
|----|----|-------|-------|----|----|-----|---|--------|----|
| 25 | 50 | 147,0 | 56,6  | 26 | 29 | 60  |   |        |    |
| 40 | 60 | 277,7 | 80,0  | 38 | 41 | 85  |   |        |    |
| 50 | 70 | 284,1 | 92,4  | 50 | 53 | 85  |   |        |    |
| 65 | 80 | 357,8 | 120,0 | 66 | 70 | 133 |   |        |    |
| 85 | 90 | 360,9 | 128,1 | 81 | 85 | 133 |   |        |    |

|   |                  |                                       |          |          |          |          |          |          |          |               |           |
|---|------------------|---------------------------------------|----------|----------|----------|----------|----------|----------|----------|---------------|-----------|
| Change over valve S - S - S, Type - LT, pneumatic<br>Umstellventil S - S - S, Typ - LT, pneumatisch | <b>47330-P45</b> | <b>Dimensions • Baumaße</b>           |          |          |          |          |          |          |          |               |           |
|   | <b>NC</b>        | <b>DN</b>                             | <b>A</b> | <b>B</b> | <b>C</b> | <b>D</b> | <b>E</b> | <b>R</b> | <b>L</b> | <b>Rd x s</b> | <b>kg</b> |
|                    |                  | 25                                    | 50       | 147,0    | 56,6     | 26       | 29       | 60       |          |               |           |
|   |                  | 40                                    | 60       | 277,7    | 80,0     | 38       | 41       | 85       |          |               |           |
|   |                  | 50                                    | 70       | 284,1    | 92,4     | 50       | 53       | 85       |          |               |           |
|   |                  | 65                                    | 80       | 357,8    | 120,0    | 66       | 70       | 133      |          |               |           |
|   |                  | 80                                    | 90       | 360,9    | 128,1    | 81       | 85       | 133      |          |               |           |
|   |                  |                                       |          |          |          |          |          |          |          |               |           |
|   |                  | Typ / Type: luft/feder / air - spring |          |          |          |          |          |          |          |               |           |
|   |                  | Mat. AISI 316L                        |          |          |          |          |          |          |          |               |           |

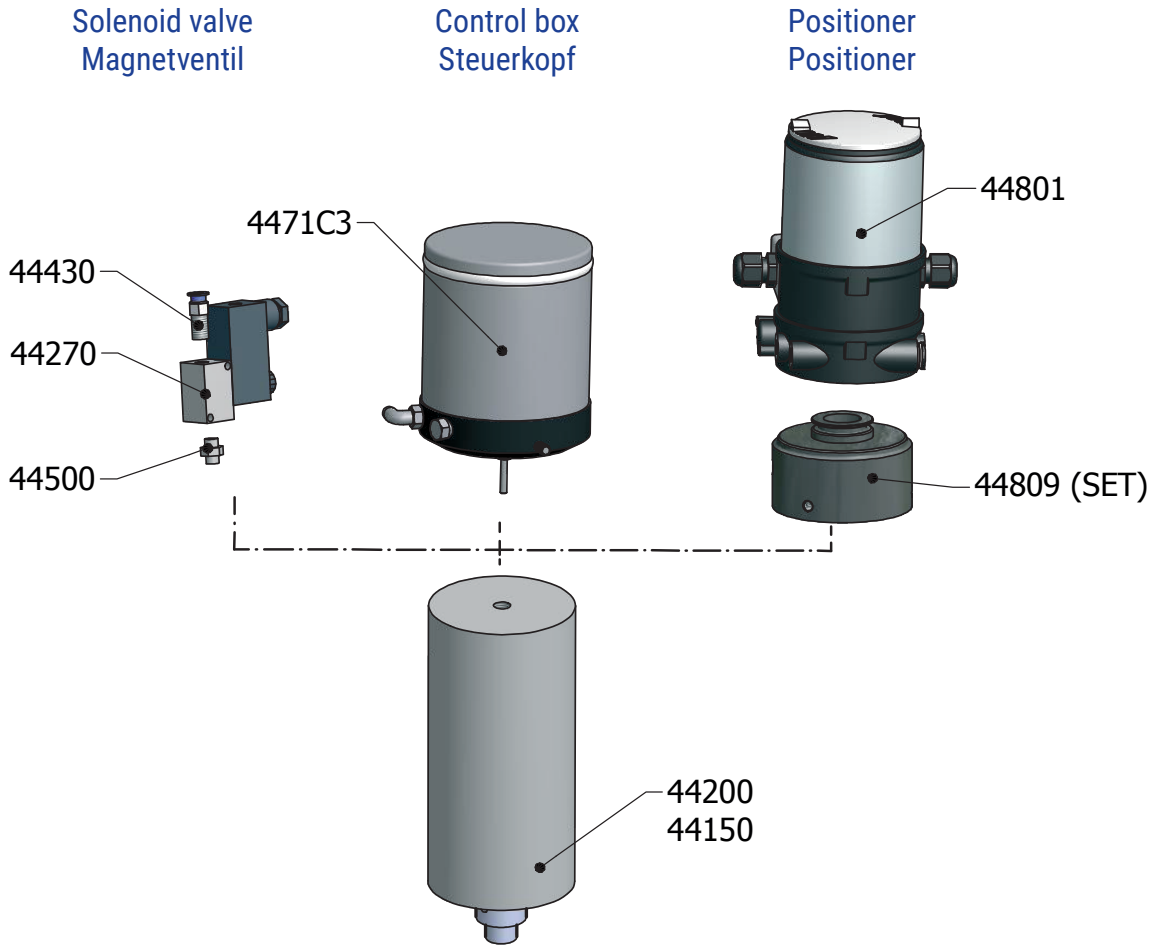
|   |                  |                                       |          |          |          |           |           |          |          |               |           |
|---|------------------|---------------------------------------|----------|----------|----------|-----------|-----------|----------|----------|---------------|-----------|
| Change over valve S - S - S, Type - TL, pneumatic<br>Umstellventil S - S - S, Typ - TL, pneumatisch | <b>47340-P45</b> | <b>Dimensions • Baumaße</b>           |          |          |          |           |           |          |          |               |           |
|   | <b>NC</b>        | <b>DN</b>                             | <b>A</b> | <b>B</b> | <b>C</b> | <b>D1</b> | <b>D2</b> | <b>E</b> | <b>L</b> | <b>Rd x s</b> | <b>kg</b> |
|                   |                  | 25                                    | 50       | 147,0    | 56,6     | 26        | 29        | 60       |          |               |           |
|   |                  | 40                                    | 60       | 277,7    | 80,0     | 38        | 41        | 85       |          |               |           |
|   |                  | 50                                    | 70       | 284,1    | 92,4     | 50        | 53        | 85       |          |               |           |
|   |                  | 65                                    | 80       | 357,8    | 120,0    | 66        | 70        | 133      |          |               |           |
|   |                  | 80                                    | 90       | 360,9    | 128,1    | 81        | 85        | 133      |          |               |           |
|   |                  |                                       |          |          |          |           |           |          |          |               |           |
|   |                  | Typ / Type: luft/feder / air - spring |          |          |          |           |           |          |          |               |           |
|   |                  | Mat. AISI 316L                        |          |          |          |           |           |          |          |               |           |

|   |                  |                                       |          |          |          |           |           |          |          |               |           |
|---|------------------|---------------------------------------|----------|----------|----------|-----------|-----------|----------|----------|---------------|-----------|
| Change over valve S - S - S, Type - TT, pneumatic<br>Umstellventil S - S - S, Typ - TT, pneumatisch | <b>47350-P45</b> | <b>Dimensions • Baumaße</b>           |          |          |          |           |           |          |          |               |           |
|   | <b>NC</b>        | <b>DN</b>                             | <b>A</b> | <b>B</b> | <b>C</b> | <b>D1</b> | <b>D2</b> | <b>E</b> | <b>L</b> | <b>Rd x s</b> | <b>kg</b> |
|                  |                  | 25                                    | 50       | 147,0    | 56,6     | 26        | 29        | 60       |          |               |           |
|   |                  | 40                                    | 60       | 277,7    | 80       | 38        | 41        | 85       |          |               |           |
|   |                  | 50                                    | 70       | 284,1    | 92,4     | 50        | 53        | 85       |          |               |           |
|   |                  | 65                                    | 80       | 357,8    | 120,0    | 66        | 70        | 133      |          |               |           |
|   |                  | 80                                    | 90       | 360,9    | 128,1    | 81        | 85        | 133      |          |               |           |
|   |                  |                                       |          |          |          |           |           |          |          |               |           |
|   |                  | Typ / Type: luft/feder / air - spring |          |          |          |           |           |          |          |               |           |
|   |                  | Mat. AISI 316L                        |          |          |          |           |           |          |          |               |           |

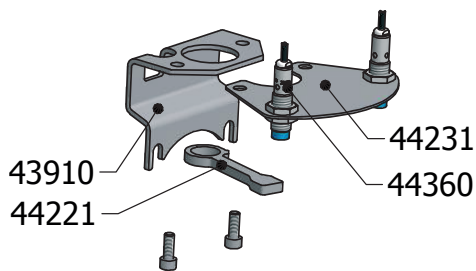
|   |                  |                             |          |          |          |          |          |          |          |               |           |
|---|------------------|-----------------------------|----------|----------|----------|----------|----------|----------|----------|---------------|-----------|
| Pneumatic actuator S - R<br>Pneumatik-hubtrieb luft-feder                           | <b>47450-P45</b> | <b>Dimensions • Baumaße</b> |          |          |          |          |          |          |          |               |           |
|   | <b>NC</b>        | <b>DN</b>                   | <b>A</b> | <b>B</b> | <b>C</b> | <b>D</b> | <b>E</b> | <b>R</b> | <b>L</b> | <b>Rd x s</b> | <b>kg</b> |
|  |                  | 25                          | 175      |          |          | 89       |          |          |          |               |           |
|   |                  | 40-50                       | 175      |          |          | 104      |          |          |          |               |           |
|   |                  | 65-80                       | 230      |          |          | 129      |          |          |          |               |           |
|   |                  |                             |          |          |          |          |          |          |          |               |           |
|   |                  |                             |          |          |          |          |          |          |          |               |           |
|   |                  |                             |          |          |          |          |          |          |          |               |           |
|   |                  |                             |          |          |          |          |          |          |          |               |           |
|   |                  |                             |          |          |          |          |          |          |          |               |           |

**Butterfly valve with pneumatic actuator 44200 (44150) - variants signaling and control**

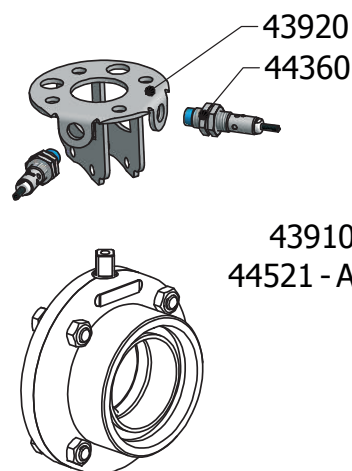
**Scheibenventil mit pneumatischantriebe 44200 (44150) - varianten signalisierung und kontrolle**



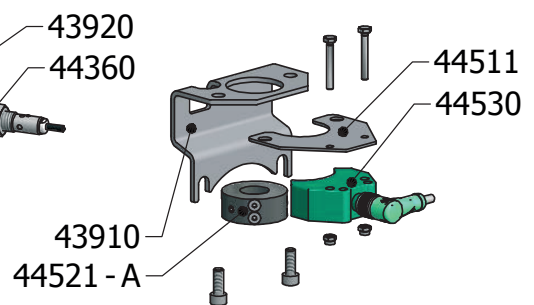
**typ N1**



**typ N2**



**typ N3**



**Butterfly valve with pneumatic actuator Air Torque - variants signaling and control**

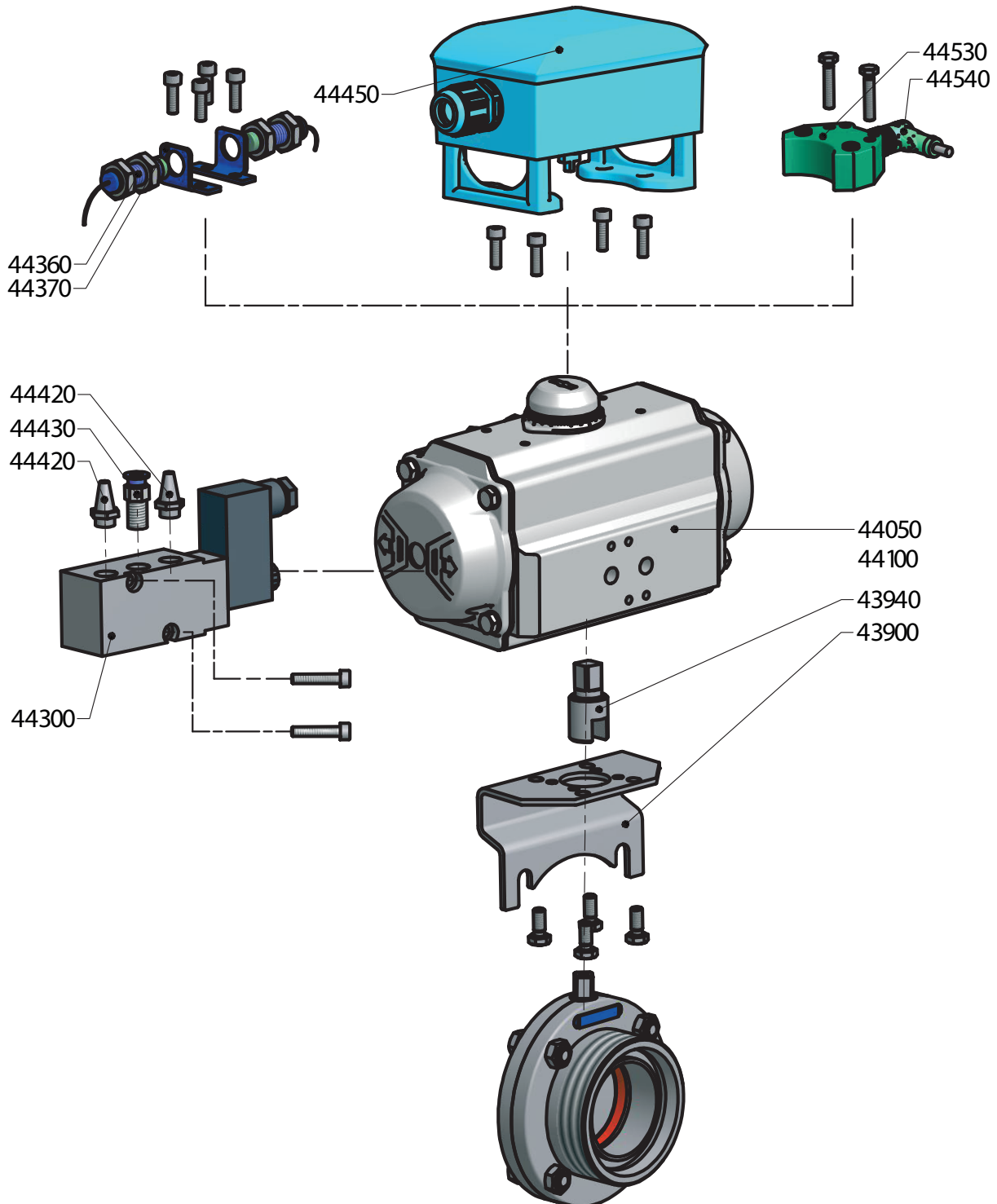
**Scheibenventil mit pneumatischeantriebe Air Torque - varianten signalisierung und kontrolle**

Position detection – Positionserfassungs

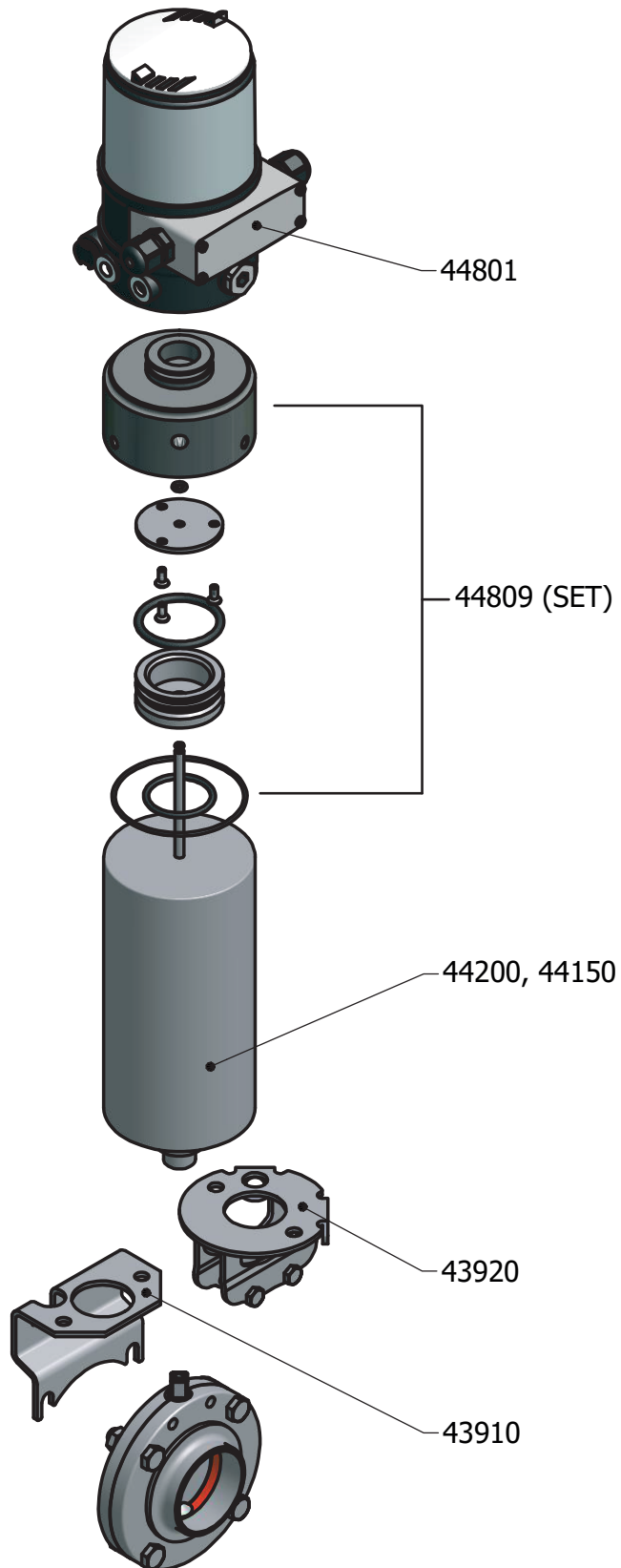
Type A1

Type A2

Type A3

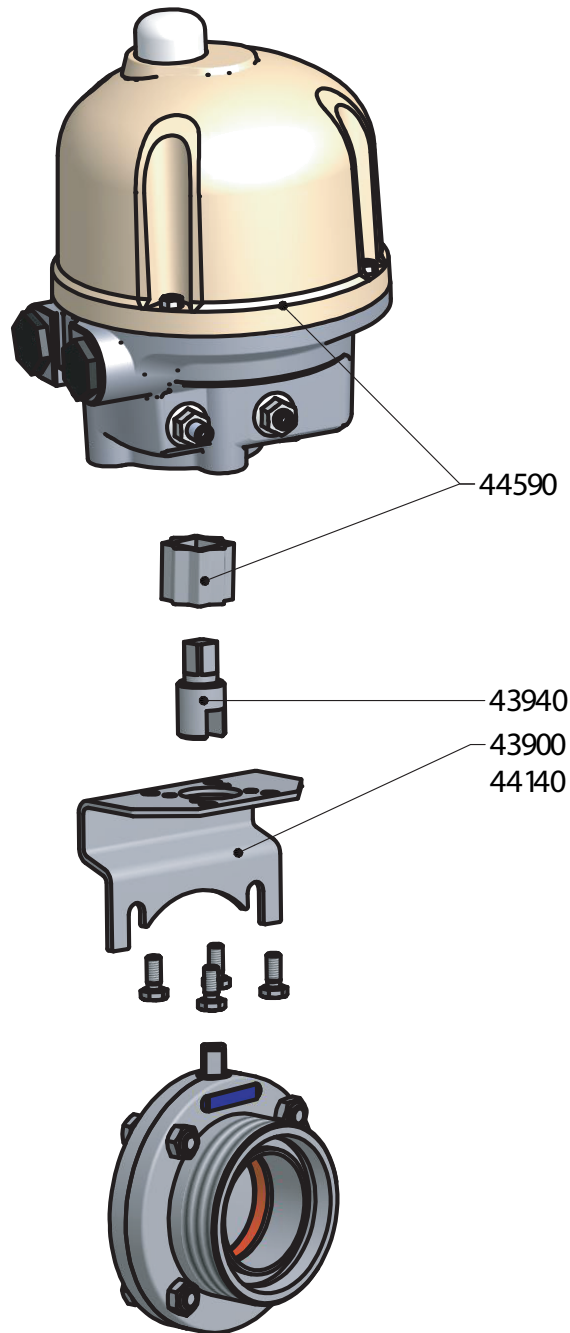


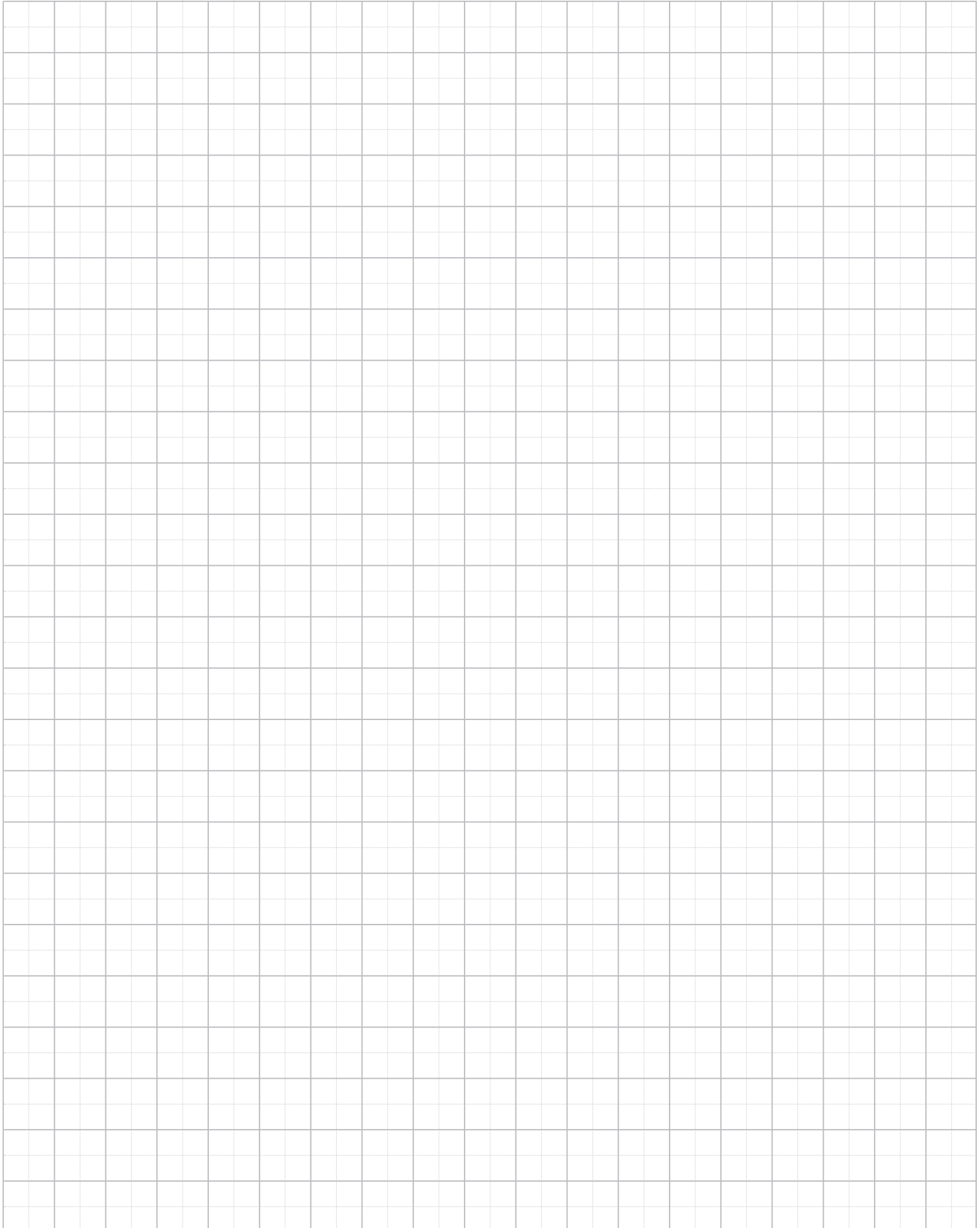
**Flap and pneumatic actuator assembly with control head**  
**Klappe und pneumatischer Antrieb mit Steuerkopf**

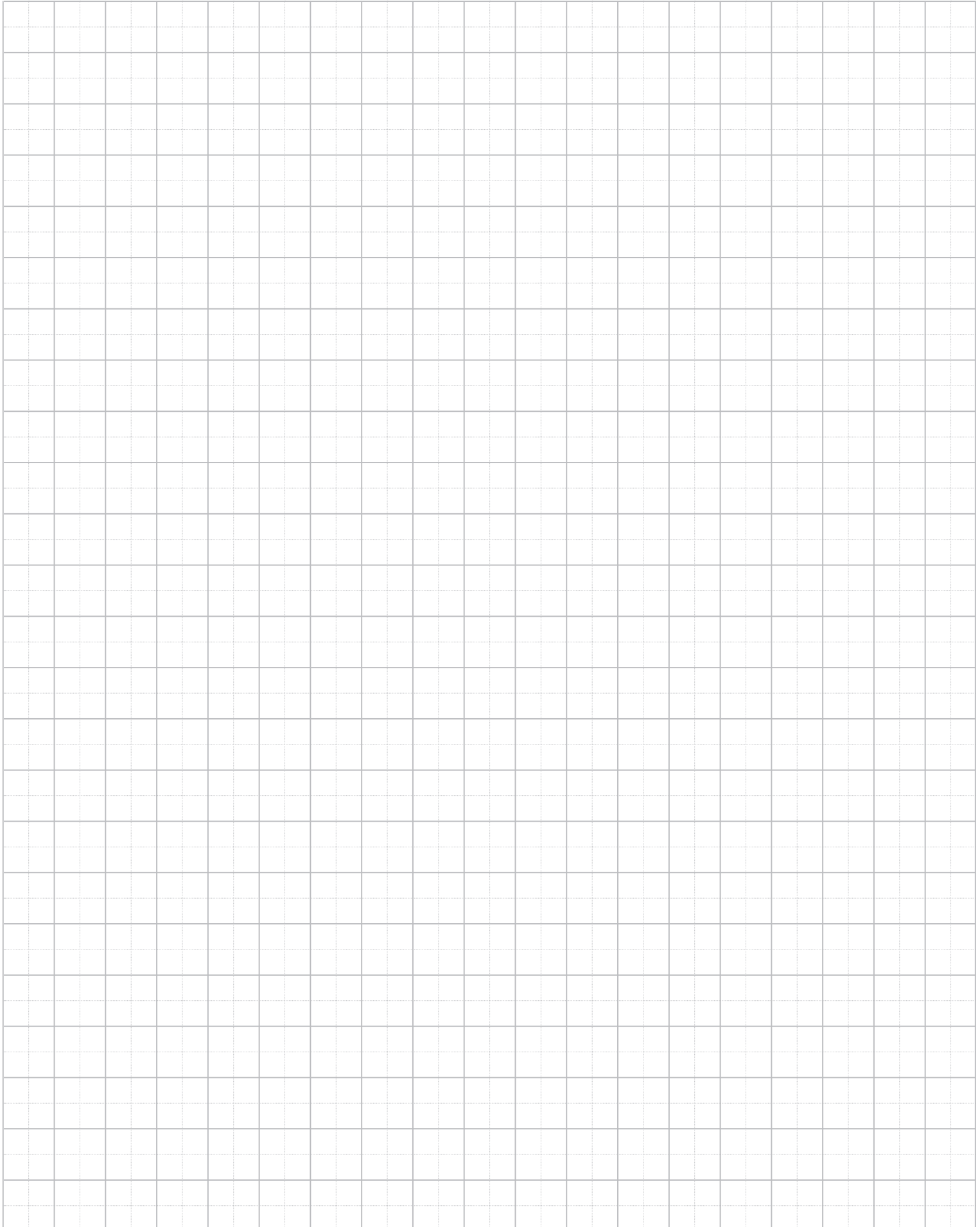


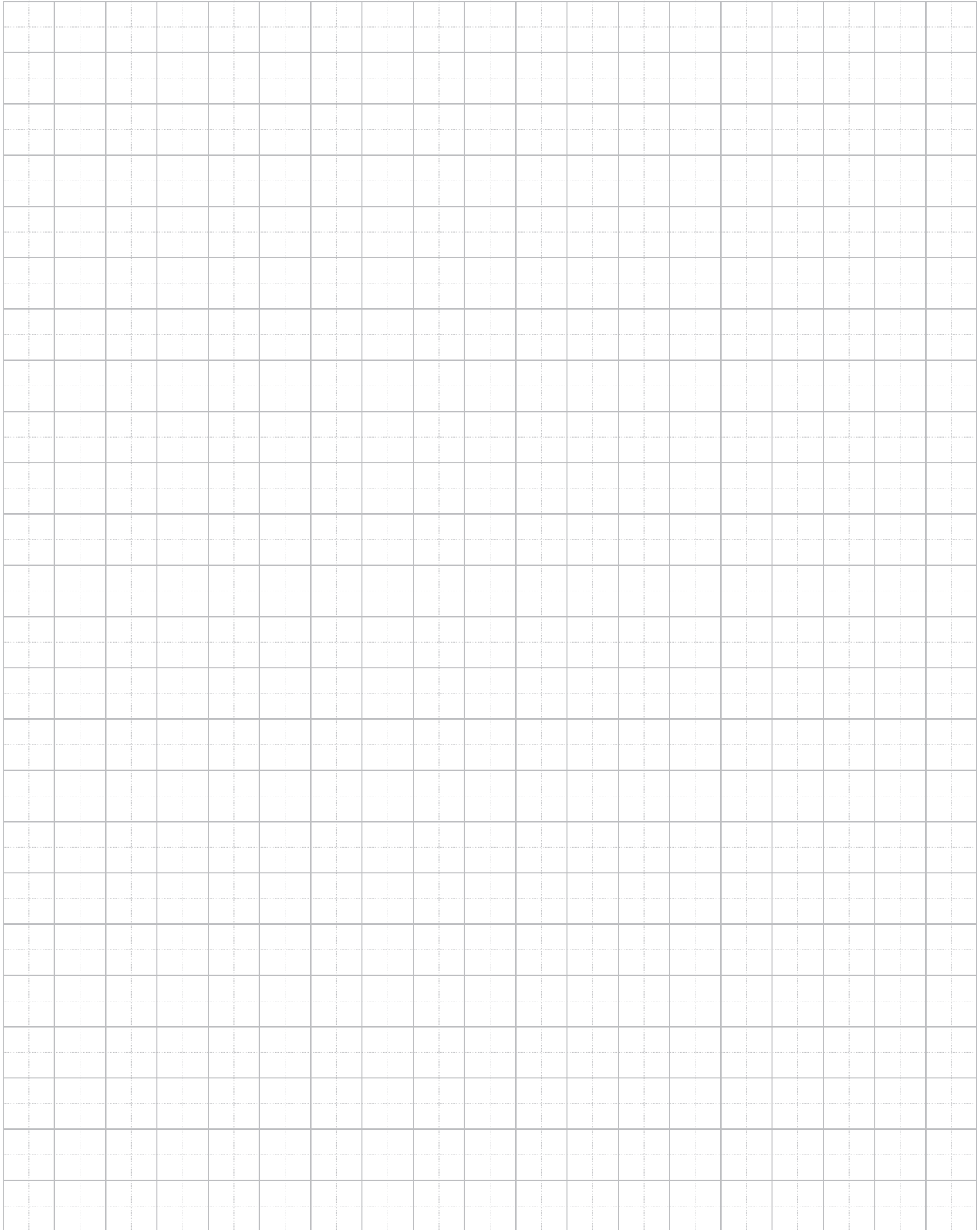


**Butterfly valve with electric drive**  
**Scheibenventil mit Elektroantrieb**









| CONVERSION TABLE |        | UMRECHNUNGSTABELLE |  |
|------------------|--------|--------------------|--|
| DN               | (inch) | (mm)               |  |
| 8                | 1/4"   | 6,35               |  |
| 10               | 3/8"   | 9,25               |  |
| 15               | 1/2"   | 12,7               |  |
| 20               | 3/4"   | 19,0               |  |
| 25               | 1"     | 25,4               |  |
| 32               | 1 1/4" | 31,7               |  |
| 40               | 1 1/2" | 38,1               |  |
| 50               | 2"     | 51,0               |  |
| 65               | 2 1/2" | 63,5               |  |
| 80               | 3"     | 76,1               |  |
| 100              | 4"     | 104,0              |  |

| BAR CONVERSION CHARTS | BAR UMPRECHNUNGSTABELLE           |
|-----------------------|-----------------------------------|
| <h1>1 Bar</h1>        | 100000 Pascals                    |
|                       | 100 Kilopascals                   |
|                       | 1000 Milibars                     |
|                       | 1000000 Microbars                 |
|                       | ~0,98 Atmospheres                 |
|                       | ~401,46 Inches of wather          |
|                       | 10 Meters of wather               |
|                       | ~29,53 Inches of mercury          |
|                       | ~750 Milimeters of mercury        |
|                       | ~14,5 Pounds per square inches    |
|                       | ~1,02 Kilograms per square inches |

## MATERIALS USED

All units and parts listed in this catalogue are produced from non-corrosive acid-resistant Cr – Ni steel ČSN 17 240, which is the equivalent of the German standard DIN 1.4301. If the corrosion-proof requirements of the parts are higher they are produced from non-corrosive Cr-Ni-Mo steel ČSN 17 349 which conforms to DIN 1.4404.

## Chemical composition of the most frequently used non-corrosive steels

| ČSN<br>PN     | %C<br>max. | %Si<br>max. | %Mn<br>max. | %P<br>max. | %S<br>max. | %Cr<br>max. | %Mo<br>max. | %Ni<br>max. | %Ti<br>max. |
|---------------|------------|-------------|-------------|------------|------------|-------------|-------------|-------------|-------------|
| <b>17 240</b> | 0.07       | 1.00        | 2.00        | 0.045      | 0.030      | 17.0-20.0   | -           | 9.0 -11.5   | -           |
| <b>17 249</b> | 0.03       | 1.00        | 2.00        | 0.045      | 0.030      | 17.0-20.0   | -           | 10.0-12.5   | -           |
| <b>17 346</b> | 0.07       | 1.00        | 2.00        | 0.045      | 0.030      | 16.5-18.5   | 2.0-2.5     | 10.5-13.5   | -           |
| <b>17349</b>  | 0.03       | 1.00        | 2.00        | 0.045      | 0.030      | 16.5-18.5   | 2.0-2.5     | 11.0-14.0   | -           |
| <b>17 248</b> | 0.10       | 1.00        | 2.00        | 0.045      | 0.030      | 17.0-19.0   | -           | 9.5-12.0    | >=5xC       |
| <b>17 348</b> | 0.10       | 1.00        | 2.00        | 0.045      | 0.030      | 16.5-18.5   | 2.0-2.5     | 11.0-14.0   | >=5xC       |

## International standards conversion table for marking steels

| Poldi     | Czech Rep.<br>PN | Germany<br>DIN (W. Nr.) | USA<br>ASTM | Italy<br>UNI   | France<br>AFNOR | Russia<br>GOST |
|-----------|------------------|-------------------------|-------------|----------------|-----------------|----------------|
| AKV7      | 17240            | 1.4301                  | AISI 304    | X5CrNi1810     | Z7CN18-09       | 08Ch18N10      |
| AKV2      | 17249            | 1.4306                  | AISI304L    | X2CrNi1811     | Z3CN19-121      | 03Ch18N11      |
| AKV EX7   | 17346            | 1.4401                  | AISI 316    | X5CrNiMo1712.2 | Z7CND17-12-02   | -              |
| AKV EX2   | 17349            | 1.4404                  | AISI 316L   | X2CrNiMo1713.2 | Z3CND18-12-02   | 03Ch12N14M2    |
| AKVS7     | 17248            | 1.4541                  | AISI 321    | X6CrNiTi1811   | Z6CNT18-10      | 08Ch18N10T     |
| AKV EX S9 | 17348            | 1.4571                  | AISI 316Ti  | X6CrNiMoTi1712 | Z6CNDT17-12     | 08Ch17N13M2    |

## DESIGN

The bulk of products are produced from bars or forged material. The material is in such a state that after welding it is not necessary to carry out further treatment. Tubular adapting pipes in their basic finish are pickled – matt, or treated – ground (brushed).

## PIPE CONNECTING PARTS – DIN SCREW COUPLINGS

These are produced according to the DIN 11 851 standard and the screw thread according to the DIN 405 (ČSN 01 4037) standard. Connection of the sockets (screw thread or ring) to the tubes can be done in two ways:

- a) butt welding
- b) flaring the inside diameter

From diameters of 50mm and above it is necessary to ensure flaring of connections with a seam weld. Flared connections with a seam weld are hygienically unobjectionable and are suitable for pressures of 1 MPa (tested at a pressure of 2 MPa). Parts which do not correspond to any standards are produced according to branch or factory standards, and possibly workshop standards, and in some cases to approved technical drawings.

## SEALING

Seals listed in this catalogue are produced from the following materials – SILICON, PERBUNAN, EPDM or VITON. They are supplied separately or as part of the set. Prices for tubular adapting pipes and sets of screw couplings do not include sealing rings.

## MAINTENANCE

Without exception the materials used are suitable for general use in the food-processing industry. These materials are sensitive to high concentrations of chloride solutions and therefore we recommend that the instructions and recommendations of the manufacturer are heeded. Corrosion can only be prevented if these instructions are adhered to.

**SPECIAL DESIGN**

Apart from the standard parts listed in this catalogue we also supply special designs according to customer requirements and their technical documentation.

**INSTRUCTIONS FOR ORDERING**

For quick and simple processing of your order please supply the following data:

| <b>1</b>                     | <b>2</b>      | <b>3</b> | <b>4</b> |
|------------------------------|---------------|----------|----------|
| numerical labelling of goods | dimension(DN) | material | amount   |

If group „3” is not listed in the order we automatically supply material 17 240 (DIN 1.4301)

If you require other parts and units than those in this catalogue please send your specific requirements.

This issue nullifies all previous catalogues and delivery conditions listed in them.

We would be pleased to discuss your specific requirements and answer your questions in person. We look forward to your visit.

| Technical Information for Gaskets   |   |   |   |  |   |
|---|---|---|---|--|---|
| Title   | <b>Silicon</b><br>(VMQ silicon rubber)  | <b>EPDM</b><br>(ethylene-propylene-diene rubber)  | <b>Viton</b><br>(FPM fluorine rubber)   | <b>Perbunan</b><br>(NBR nitrile rubber)  | <b>PTFE</b><br>(polytetrafluorethylene)   |
| Temperature of use  | It is stable in water up to 100 °C<br><br>Possibility of sterilisation by steam short-term up to 120 °C to 130 °C   | Permanent operating use from 40 °C to +140 °C<br><br>Possibility of sterilisation by steam up to 130 °C   | Permanent operating use from 20 °C to +200 °C<br><br>Possibility of sterilisation by steam short-term up to 130 °C to 140 °C  | Permanent operating use from 25 °C to +110 °C<br><br>Possibility of sterilisation by steam short-term up to 130 °C   | Up to +200 °C it is physiologically harmless, use from 200 °C to +260 °C  |
| Recommended use   | High temperature load capacity<br><br>It has good resistance to cold, suitable for food, it has dielectric properties.<br><br>It has good resistance to alcohols. | It has good resistance to swelling for:<br><br>• Diluted inorganic and organic acids, media, oxidising media, lyes, and ketones<br><br>• Hot water and steam up to 130 °C | It has good resistance to swelling for:<br><br>• Mineral oils<br><br>• Plant and animal oils<br><br>• Lubricants (also some additives)<br><br>• Fuels   | It has good resistance to swelling for:<br><br>• Aliphatic hydrocarbons (such as propane, butane, benzene, mineral oil)<br><br>• Lubricants based on mineral oil | It has good resistance to swelling in almost all parts It has a smooth and repellent surface so sticking does not occur<br><br>It has better chemical resistance than in all other elastomers<br>Non-flammable material |
| Limited use (border)  | Shows high swelling for:<br><br>• Low-molecular esters and ethers<br><br>• Aliphatic and aromatic hydrocarbons<br><br>• Concentrated acids and alkali             | Cannot be used for:<br><br>• Plant and animal oils<br><br>• Aliphatic, aromatic, and chlorinated hydrocarbons<br><br>• Mineral oils                                       | Shows high swelling for:<br><br>• Polar solvents, such as acetone, methyl ketone, ethyl acetate, diethyl ether, and dioxane<br><br>• Low-molecular organic acids (formic acid and acetic acid)<br><br>• Gaseous ammonia, amines and alkanes<br><br>• Overheated water steam | Not resistant to:<br><br>• Polar solvents<br><br>• Chlorinated hydrocarbons<br><br>• Ketones<br><br>• Aromatic hydrocarbons (benzol)<br><br>• Esters             | Not resistant to:<br><br>• Liquid alkaline metals and some compounds of fluorine in connection with higher pressure and temperature<br><br>The material does not show the flexibility of rubber.                        |
| Material approval   | BGA/FDA   | BGA/FDA   | BGA/FDA   | BGA/FDA  | BGA/FDA   |
| BGA = approval of the "Federal Health Authority" in Germany ("Bundesgesundheitsamt")<br>FDA = approval of the "US Food and Drug Administration" |   |   |   |  |   |



| Technische Informationen für Dichtringe                             |  |   |   |  |  |
|---|--|---|---|--|--|
| Name  | Silikon (VMQ)  | EPDM (Ethylen-Propylen-Dien-Kautschuk)  | Viton (FPM)   | Perbunan (NBR)   | PTFE (Polytetrafluoräthylen)   |
| Einsatztemperatur   | in Wasser bis 100°C beständig<br><br>Dampfsterilisierbar kurzfristig bis 120°C - 130°C   | Dauereinsatz von minus 40°C bis 140°C<br><br>Dampfsterilisierbar bis 130°C  | Dauereinsatz von minus 20°C bis 200°C<br><br>Dampfsterilisierbar kurzfristig bis 130°C - 140°C  | Dauereinsatz von minus 25°C bis 110°C<br><br>Dampfsterilisierbar kurzfristig bis 130°C   | bis 200°C physiologisch unbedenklich,<br><br>Einsatz von -200°C bis +260°C   |
| typ. Einsatzbereich   | hohe thermische Belastbarkeit<br><br>gute Kältebeständigkeit, für lebensmittel gut geeignet, dielektrische Eigenschaft<br><br>gute Beständigkeit gegenüber Alkoholen | gute Quellbeständigkeit bei:<br><br>• verdünnte anorg.- und organische Säuren, Medien, oxidierend wirkende Medien, Laugen und Kationen<br><br>• in Heißwasser und Dampf bis 130°C | gute Quellbeständigkeit bei:<br><br>• Mineralölen<br>• pflanzlichen und tierischen Ölen<br>• Fetten (auch bestimmte Additive)<br>• Kraftstoffe  | gute Quellbeständigkeit<br><br>• aliphatischen Kohlenwasserstoffen (wie Propan, Butan, Benzin, Mineralölen)<br>• Fett auf Mineralölbasis | gute Quellbeständigkeit in nahezu allen Teilen<br><br>Oberfläche glatt und abweisend, dadurch kein Haften von Rückständen<br><br>chemische Beständigkeit besser als bei allen anderen Elastomeren<br><br>kaum brennbar |
| Einsatzgrenzen  | hohe Quellung bei:<br><br>• niedermolekularen Estern und Ethern<br>• aliphatischen und aromatischen Kohlenwasserstoffen<br>• konz. Säuren und Alkalien               | nicht einzusetzen bei:<br><br>• pflanzlichen und tierischen Ölen<br>• aliphatischen aromatischen und chlorierten Kohlenwasserstoffen<br>• Mineralöle                              | stark quellend bei:<br><br>• polaren Lösungsmitteln wie Aceton, Methylketon, Ethylacetat, Diethylether u. Dioxane<br>• niedermolekularen organ. Säuren (Ameisen- und Essigsäuren)<br>• Ammoniakgase, Amine u. Alkanien<br>• überhitzter Wasserdampf | nicht beständig bei:<br><br>• polaren Lösungsmitteln<br>• chlorierten Kohlenwasserstoffen<br>• Ketone<br>• Aromaten (Benzol)<br>• Ester  | nicht beständig bei:<br><br>• flüssigen Alkalimetallen und einigen Flourverbindungen in Verbindung mit hohem Druck und Temperatur<br><br>kein gummielastischer Werkstoff   |
| Werkstoffzulassung  | BGA/FDA  | BGA/FDA   | BGA/FDA   | BGA/FDA  | BGA/FDA  |
| BGA = Bundesgesundheitsamt<br>FDA = US Food and Drug Administration |  |   |   |  |  |



PRODUCER OF STAINLESS PIPING SYSTEMS  
HERSTELLER VON EDELSTAHLARMATUREN

**NIOB FLUID s. r. o.**

Ostrožská 1003  
687 25 Hluk  
Czech Republic

Phone: +420 572 419 822 - 8  
Fax: +420 572 419 868  
E-mail: [marketing@niobfluid.cz](mailto:marketing@niobfluid.cz)

[www.niobfluid.cz](http://www.niobfluid.cz)